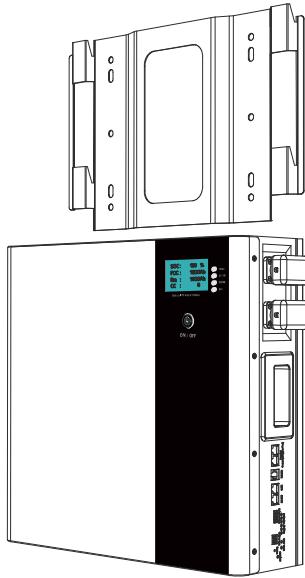
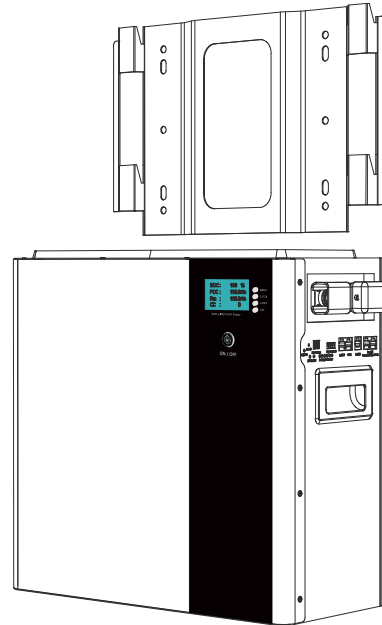


2.5KWH & 5.12KWH WALL MOUNTED & STACKING (HOUSEHOLD ENERGY STORAGE BATTERY)

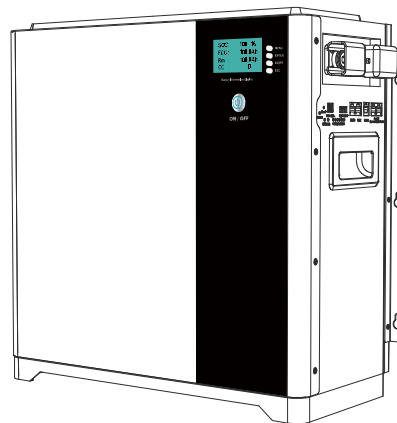
Version 2.0_08.2023



LFP4850/5150
LFP25100/25120



LFP48100/51100
(Wall Mounted)



LFP48100/51100
(Stacking Mounted)

(For: Household Energy Storage Series)
Rechargeable LiFePO4 Battery
User Manual

This manual introduces the Household Energy Storage Series, please read this manual before installing the battery, and follow the instructions carefully during the installation process. If you have any questions, please contact manufacturer for assistance immediately.

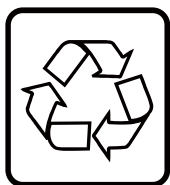
1. Safety Instructions.....	3
1.1 Before connecting.....	4
1.2 In Using.....	4
2. Introduction.....	5
2.1 Product Features.....	5
2.2 Product Specification.....	6
2.3 Equipment interface instruction.....	8
2.4 BMS basic function.....	12
3. Safe handling Guide of Lithium Battery.....	13
3.1 Schematic diagram of solution.....	13
3.2 Consider the following points before selecting where to install	13
4. Installation and Operation.....	13
4.1 Package Items.....	13
4.2 Connection of Stacked Battery.....	14
4.3 Connection of Wall Mounted Battery.....	15
4.4 Connected to Inverter	16
5. Switch ON / OFF.....	16
6.Trouble Shooting	16
7. Emergency Situations.....	18
8. Remarks.....	19

1. Safety Instructions



Reminding

- 1) Before installing or using the battery, it is important and necessary to read the user manual (in the attachment) carefully. Failure to do so or to follow any instructions or warnings in this document may result in electric shock, serious injury or death, or may damage the battery, potentially rendering it inoperable.
- 2) If the battery is stored for long time, it is required to charge them every six months, and the SOC should be no less than 90%.
- 3) The battery needs to be recharged within 12 hours after fully discharged.
- 4) Do not install the product in an outdoor environment, or an environment beyond the operating temperature or humidity range listed in the manual.
- 5) Do not expose the cable to the outside.
- 6) Do not connect power terminal reversely.
- 7) All battery terminals must be disconnected for maintenance.
- 8) Please contact the supplier within 24 hours if there is something abnormal.
- 9) Do not use detergent to clean the battery.
- 10) Do not expose batteries to flammable or harsh chemicals or vapors.
- 11) Do not paint any part of the battery, including any internal or external components.
- 12) Do not connect battery with PV solar wiring directly.
- 13) The warranty claims are excluded for direct or indirect damage due to items above.
- 14) Any foreign object is prohibited to insert into any part of battery.



Li-ion





Warning

1.1 Before connecting

- 1) After unpacking, please check the product and packing list first, if the product is damaged or missing parts, please contact your local dealer.
- 2) Before installation, be sure to cut off the grid power and make sure the battery is in the turned-off mode.
- 3) Wiring must be correct, do not mistake the positive and negative cables, and ensure no short circuit with the external device.
- 4) It is forbidden to directly connect the battery with AC power.
- 5) The battery embedded BMS is designed for 51.2VDC, please do not connect the battery in series.
- 6) Please ensure that the electrical parameters of the battery system are compatible with related equipment.
- 7) Keep the battery away from water and fire.

1.2 In using

- 1) If you need to move or repair the battery system, you must cut off the power supply and turn off the battery completely.
- 2) It is forbidden to connect the battery with different types of batteries.
- 3) It is forbidden to connect the battery with a faulty or incompatible inverter.
- 4) It is forbidden to disassemble the battery (the QC sheet falls off or is damaged);
- 5) In the event of a fire, only dry powder fire extinguishers can be used, and liquid fire extinguishers are prohibited.
- 6) Please do not open, repair or disassemble the battery except staffs from manufacturer or authorized by manufacturer. We do not undertake any consequences or related responsibility which because of violation of safety operation or violating of design, production and equipment safety standards.

2. Introduction

Household Energy Storage Series lithium iron phosphate battery is a new energy storage product developed and produced by Senior team, which can provide reliable power support for various equipment and systems.

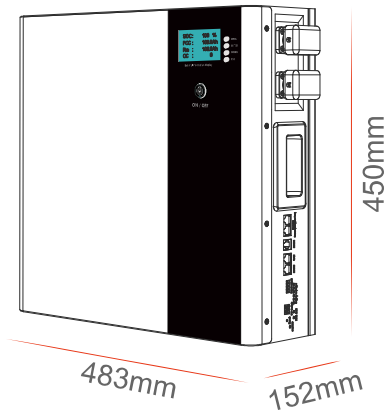
The Household Energy Storage Series has a built-in BMS battery management system, which can manage and monitor battery voltage, current, temperature and other information.

2.1 Product Features

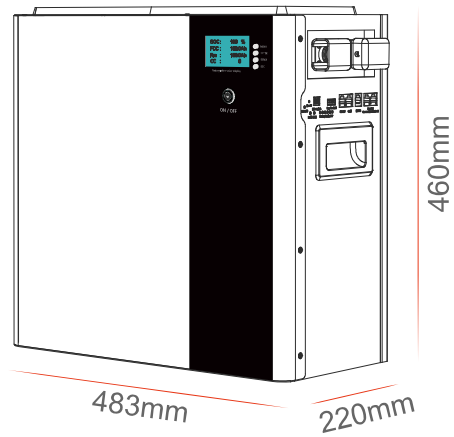
- 1) Built-in soft start function, when the inverter needs to start from the battery, it can reduce the current impact.
- 2) Double active protection at BMS level.
- 3) Support the host controller to upgrade the battery module through RS232 communication.
- 4) Enable 95% depth of discharge, which can be used for inverters operating in full compliance with the CAN protocol.
- 5) The module is non-toxic, non-polluting and environmentally friendly
- 6) The cathode material is lithium iron phosphate, which has good safety performance and long cycle life.
- 7) The battery management system (BMS) has protection functions such as over-discharge, over-charge, over-current, high and low temperature, etc.
- 8) The system can automatically manage the charging and discharging status and balance the voltage of each cell.
- 9) Flexible configuration, multiple battery modules can be connected in parallel to expand capacity and power.
- 10) Adopt self-cooling method to quickly reduce the overall noise of the system.
- 11) The module has less self-discharge, and can be put on the shelf for up to 6 months without charging. There is no memory effect, and the shallow charge and discharge performance is excellent.
- 12) Small size, light weight, standard of 19-inch embedded design module, easy installation and maintenance.

2.2 Product Specification

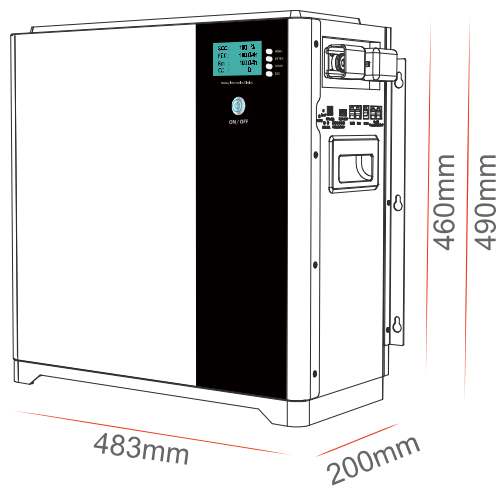
(1) Product appearance and size



LFP4850/5150
LFP25100/25120



LFP48100/51100
(Wall Mounted)



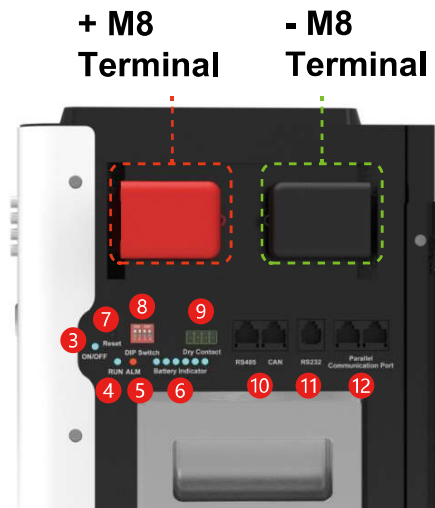
LFP48100/51100
(Stacking Mounted)

Model	Size	Weight
LFP4850/5150 LFP25100/25120	483x152x450mm	< 28Kg
LFP48100/51100 (Wall Mounted)	483x220x460mm	< 52Kg
LFP48100/51100 (Stacking Mounted)	483x200x460(490)mm	< 52Kg

(2) Battery Technical Specification

Parameters	Data Sheet		
Model	LFP25100/25120	LFP4850/5150	LFP48100/51100 (Wall&Stacking Mounted)
Nominal Voltage	25.6V	48V / 51.2V	48V/51.2V
Nominal Capacity	100Ah / 120Ah	50Ah	100Ah
Energy(Wh)	2.56 / 3.072Kwh	2.4 / 2.56Kwh	4.8/5.12Kwh
Discharging Cut-off Voltage	22.4V	42V / 44.8V	42V / 44.8V
Charging Cut-off Voltage	28.8V	54V / 57.6V	54V / 57.6V
Max Charging Current	70A	40A	70A
Max Discharging Current	100A	75A	100A
Peak Discharging Current	105A	80A	105A
Max Loaded Power	3Kw	3Kw	3~5Kw
Nos of Cells	8 pcs	15 / 16 pcs	15 / 16 pcs
Communication	RS485/CAN		
Depth of Discharge	95		
Working Temperature	0°C~50°C Charge		
	-10°C~50°C Discharge		
The Shelf Temperature	-10°C~55°C		
Protection Degree	I		
Humidity	5~95%(RH)		
Certificates	CE / UN38.3 / MSDS		
Design Life Cycle	10+Years (25°C/77°F)		
Cycles	≥6000 at 25°C		

2.3 Equipment interface instruction



1 Function Switch

- a).ON: starting
- b).OFF: Power off for storage or transportation

2 Battery Information Display

Button(Battery information view)

- (1).MENU
- (2).ENTER
- (3).DOWN
- (4).ESC

3 Battery switch indicator

4 RUN

Green LED light shows battery running status

5 ALM

Red LED flashing indicates battery alarm; (On: The battery is protected.)

6 Battery Indicator

Six green LED show the current capacity of the battery

LED Working Status Indication

State	Normal / Alarm	ON/OFF	RUN	ALM	Battery Indicator LED						
		●	●	●	●	●	●	●	●	●	
Shut Down	Dormant	-	-	-	-	-	-	-	-	-	-
Standby	Normal	●	▬	-	Show SOC						
	Alarm	●	▬	▬	Show SOC						
Charge	Normal	●	●	-	Show SOC						
	Alarm	●	●	▬	The max. power indicator LED ▬						
Discharge	Normal	●	▬▬	-	Show SOC						
	Alarm	●	▬▬	▬▬	Show SOC						

* **Caution:** Other status exception, Please consult your seller.

Description of Battery Capacity Indicator

State		Charge						Discharge					
Capacity Indicator		L6	L5	L4	L3	L2	L1	L6	L5	L4	L3	L2	L1
		●	●	●	●	●	●	●	●	●	●	●	●
Capacity (%)	0~16.6%	-	-	-	-	-		-	-	-	-	-	●
	16.6~33.2%	-	-	-	-		●	-	-	-	-	●	●
	33.2~49.8%	-	-	-		●	●	-	-	-	●	●	●
	49.8~66.4%	-	-		●	●	●	-	-	●	●	●	●
	66.4~83.0%	-		●	●	●	●	-	●	●	●	●	●
	83.0~100%		●	●	●	●	●	●	●	●	●	●	●
RUN Indicator		●											

LED Flashing Description

Flashing Mode	Bright	Extinguish
● ●	Long Bright	Long Extinguish
	0.25S	3.75S
	0.5S	0.5S
	0.5S	1.5S

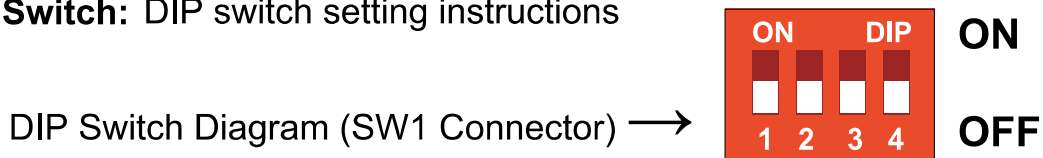
7

Reset

- a). Long press for more than 0.5s to start the battery
- b). Long press for more than 5 seconds to turn off the battery

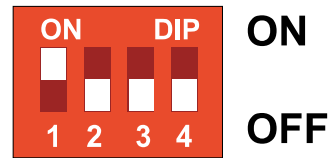
8

DIP Switch: DIP switch setting instructions

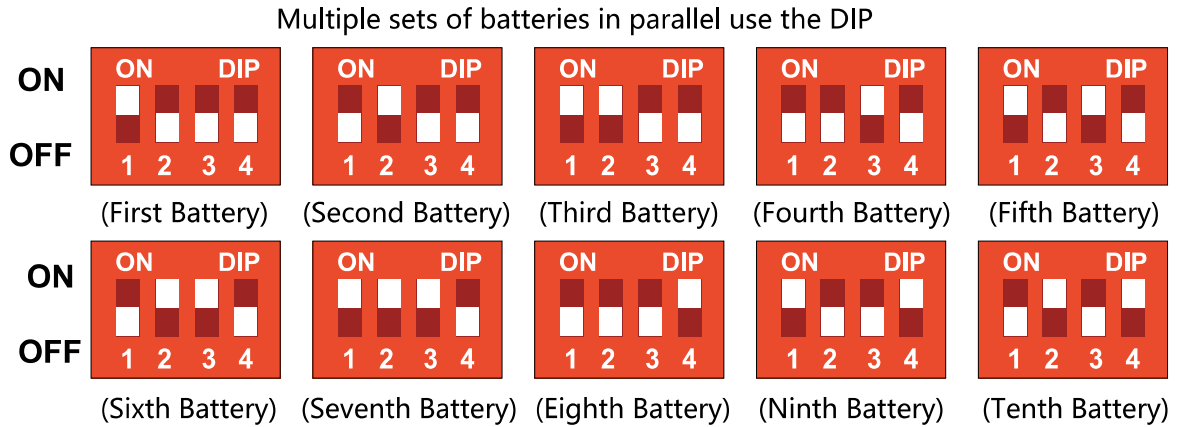


Address	DIP switch position			
	#1	#2	#3	#4
0	OFF	OFF	OFF	OFF
1	ON	OFF	OFF	OFF
2	OFF	ON	OFF	OFF
3	ON	ON	OFF	OFF
4	OFF	OFF	ON	OFF
5	ON	OFF	ON	OFF
6	OFF	ON	ON	OFF
7	ON	ON	ON	OFF
8	OFF	OFF	OFF	ON
9	ON	OFF	OFF	ON
10	OFF	ON	OFF	ON
11	ON	ON	OFF	ON
12	OFF	OFF	ON	ON
13	ON	OFF	ON	ON
14	OFF	ON	ON	ON
15	ON	ON	ON	ON

a). Single Battery Set Using Dial Code: →

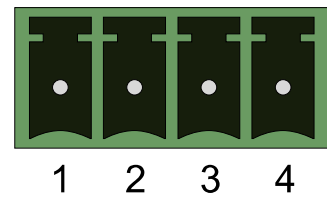


b). Multiple sets of batteries in parallel use the DIP settings:



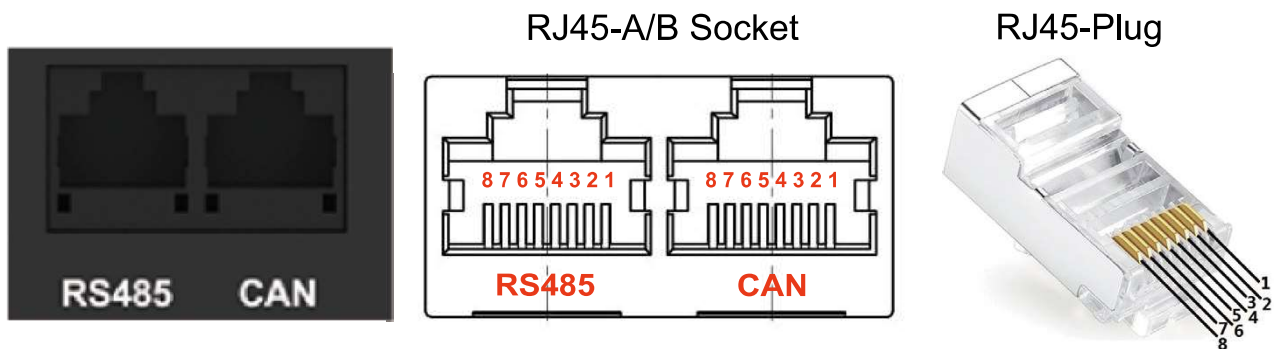
9 Dry Contact: Output description

- a). Dry contact 1-PIN1 to PIN2: normally open, low battery close
- b). Dry contact 2-PIN3 to PIN4: normally open, closed during fault protection



10 RS485 and CAN

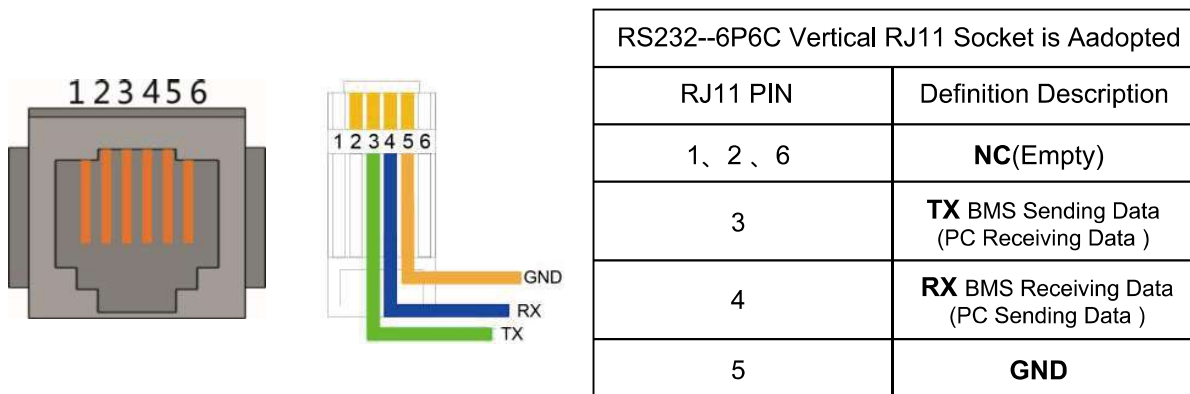
For Connecting with inverter and slave battery



RS485--8P8C Vertical RJ45 Socket is Aadopted		CAN--8P8C Vertical RJ45 Socket is Aadopted	
RJ45-A PIN	Definition Description	RJ45-B PIN	Definition Description
1、8	RS485-B1	1、2、3、6、8	NC(Empty)
2、7	RS485-A1	4	CAN-H
3、6	GND	5	CAN-L
4、5	NC(Empty)	7	GND

RS485 and CAN Communication Port Dification

- 11 **RS232 (Adjusting):**
RS232 connecting with upper computer to let manufacturer or professional engineer to process adjusting service.

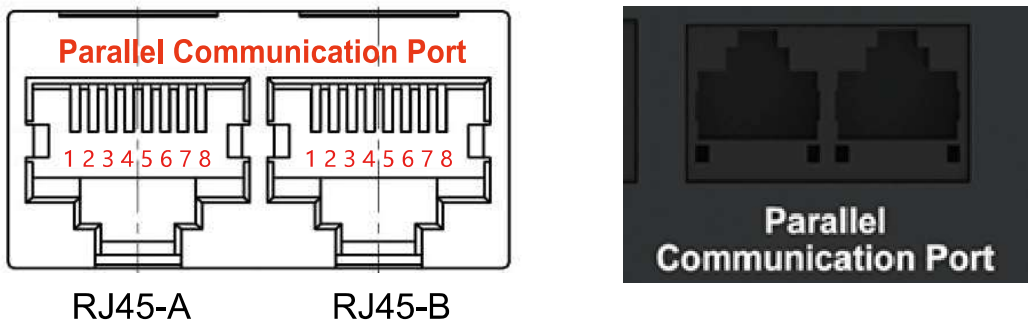


RS232 Communication Port Difinition

12 **Parallel Communication Port**

RS485 Battery Pack Parallel Function

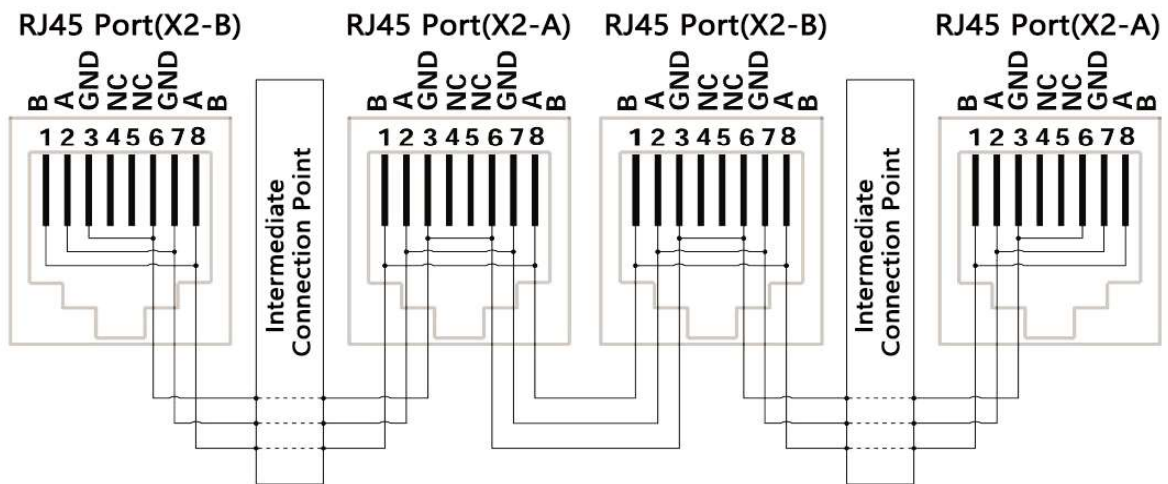
- a). Under parallel status, Communication address 0001 is Master battery pack, rest communication position are slave battery. And slave battery could communication with master battery pack through RS458 port. master battery pack will collect all slave battery data.
- b). When parallel status, only master battery pack communicate with PC upper computer as remote monitoring, uploading datas, displaying status & any other info of all battery packs.



RS485 Parallel Communication--8P8C Vertical Double RJ45 Socket is Aadopted			
RJ45-A PIN	Definition Description	RJ45-B PIN	Definition Description
1、 8	RS485-B	1、 8	RS485-B
2、 7	RS485-A	2、 7	RS485-A
3、 6	GND	3、 6	GND
4、 5	NC(Empty)	4、 5	NC(Empty)

RS485 Parallel Communication Port Difinition

c).Diagram RS485 Parallel Cables Connection



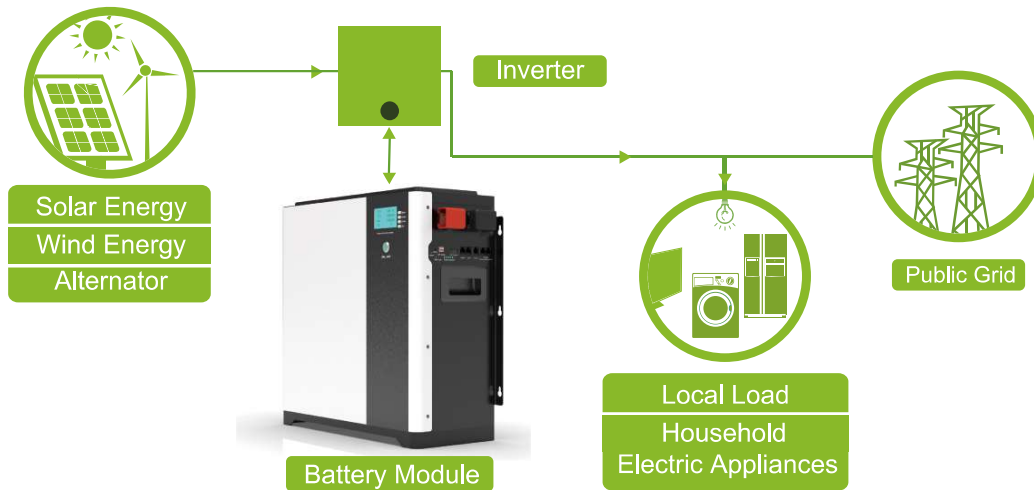
Processing several pack parallel communication, need to set the singlepack DIP firstly, And the BCD format of point ⑧ is adopted.

2.4 BMS Basic Function

Protection And Alarm	Management And Monitor
Charge / Discharge End	Cells Balance
Charge Over Voltage	Intelligent Charge Model
Discharge Under Voltage	Charge / Discharge Current Limit
Charge / Discharge Over Current	Capacity Retention Calculate
High / Low Temperature(cell/BMS)	Administrator Monitor
Short Circuit	Operation Record

3.Safe handling Guide of Lithium Battery

3.1 Schematic Diagram of Solution



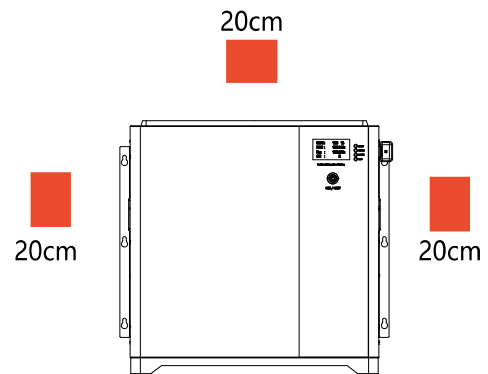
3.2 Consider the following points before selecting where to install:

a).Do not mount the battery on flammable construction materials.

b).The ambient temperature should be between 0°C and 45°C to ensure optimal operation.

c).The recommended installation position is to be adhered to the wall vertically.

d).Be sure to keep other objects and surfaces as shown in the right diagram to guarantee sufficient heat dissipation and to have enough space for removing wires.



4. Installation and Operation

4.1 Package Items (Unpack and check the packing list)

① Battery pack * 1

② 2*M8 Screw and Shield Cover ; 1 * RS485 Communication Line

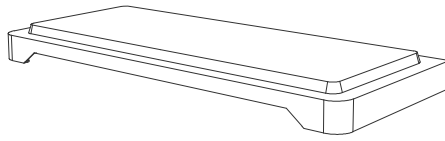


2*M8 Screw
(Installed on terminal)

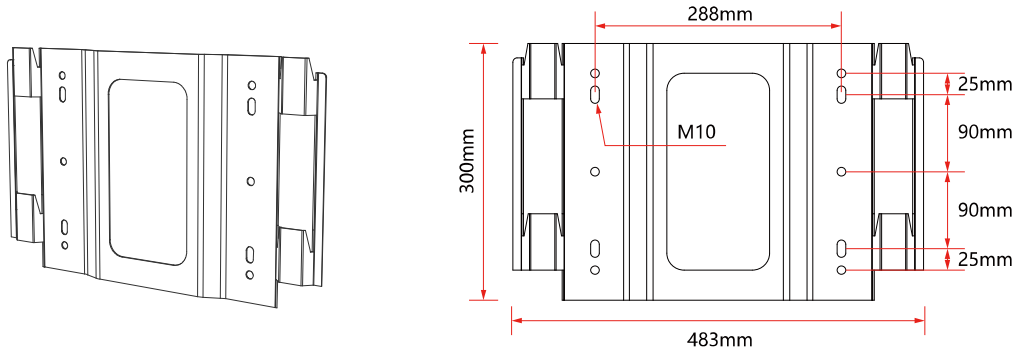


Communication Connection Line
RJ45 for RS485/CAN

- ③ The following accessories can be selected according to the corresponding model.

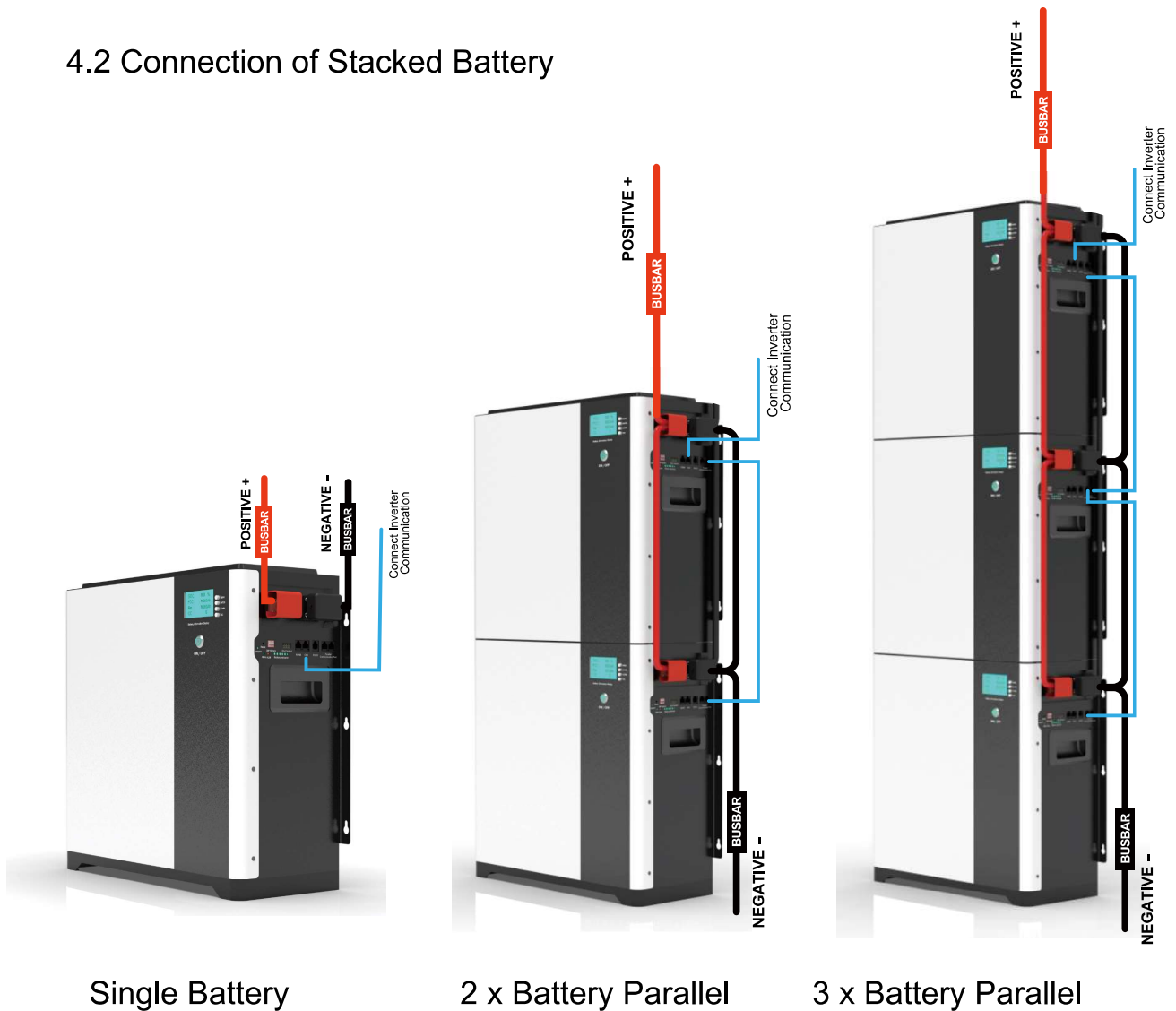


LFP48100/51100
(Stacking Mounted)



LFP4850/5150 LFP48100/51100
(Wall Mounted)

4.2 Connection of Stacked Battery

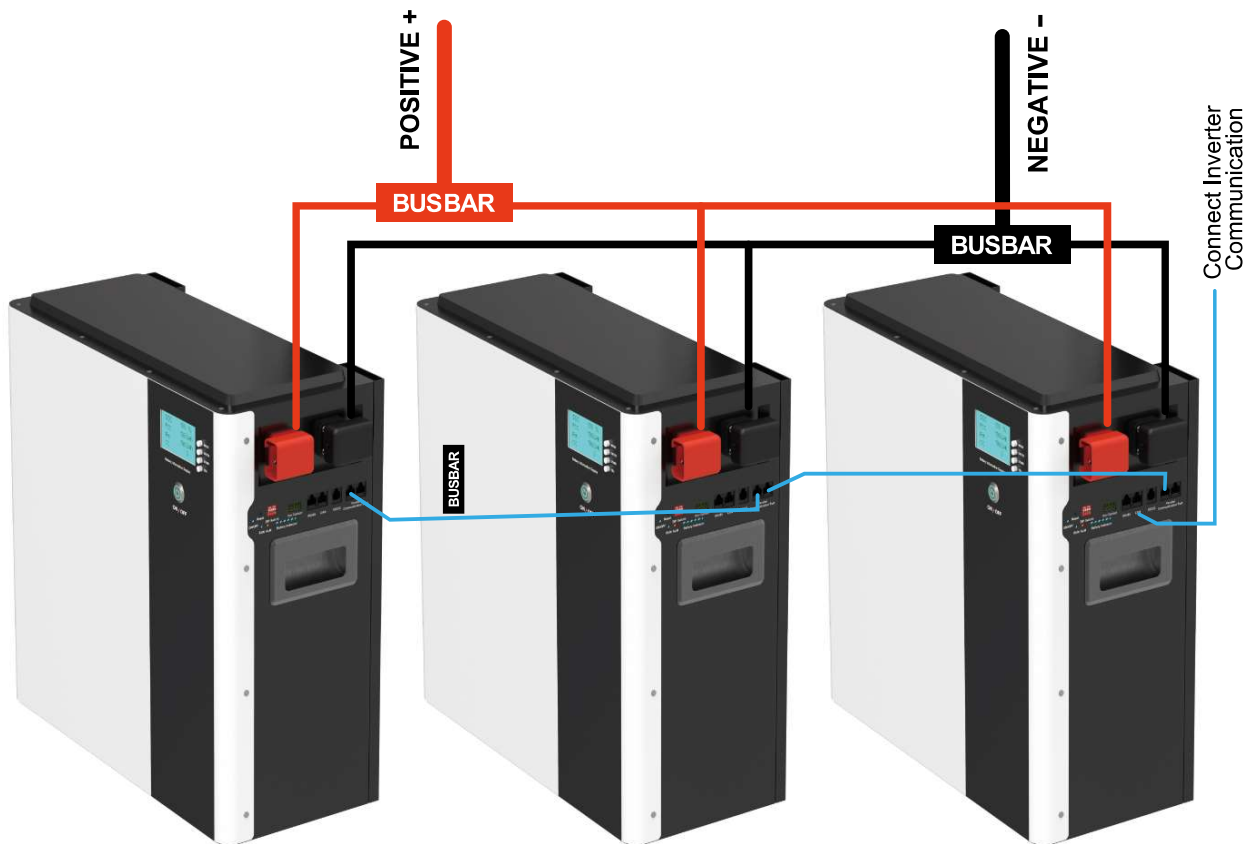


Single Battery

2 x Battery Parallel

3 x Battery Parallel

4.3 Connection of Wall Mounted Battery



Parallel Connection Diagram of Wall Mounted Battery

✘ The positive and negative bus bars are non-standard accessories, and the length and load current are customized according to the demand.

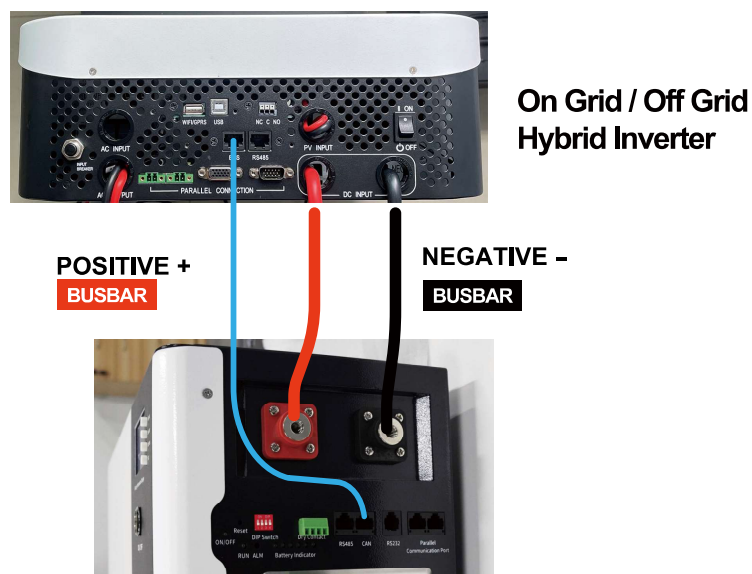


Before the parallel connection of the battery pack, please fully charge the single battery or ensure the voltage between the batteries is consistent to achieve the optimal performance of the battery.



The battery embedded BMS is designed for 25.6VDC / 51.2VDC, please do not connect the battery in series.

4.4 Connected to Inverter



Connect the positive and negative cables of the battery to the positive and negative ports of the DC input of the inverter, and connect the communication line to the BMS/RS485 port on the inverter to complete the connection between the battery and the inverter.

5. Switch ON / OFF

- a). Switch on: press On/Off button to switch on the battery, then the battery will do self-inspection before enable output. The LED will show the soc.
- b). Switch off: press and hold On/Off button, the battery will shut down directly.

✘ Please refer to "2.3" of this manual for the description of communication port and LED indication.

6. Trouble Shooting (Take 51.2V series products as an example)

Problem determination based on

- (1) Whether the battery can be turned on or not.
- (2) If battery is turned on, check the red light is off, flashing or lighting.
- (3) If the red light is off, check whether the battery can be charged / discharged or not.

Possible conditions:

- (1) Battery cannot turn on, switch ON and press the metal SW the lights are all no lighting or flashing.

- (1.1) Capacity too low, or module over discharged.
solution: use a charge or inverter to provide 57.6-58.4V voltage.
a.If battery can start, then keep charge the module and use monitor tools to check the battery log.
b.If battery terminal voltage is $\leq 40\text{Vdc}$, please use $\leq 0.05\text{C}$ to slowly charge the module to avoid affect to SOH.
c.If battery terminal voltage is $> 40\text{Vdc}$, it can use $\leq 0.5\text{C}$ to charge.
d.If battery cannot start, turn off battery and repair.
- (2) The battery can turn on, but red light is lighting, and cannot charge or discharge. If the red light is lighting, that means system is abnormal, please check values as following.
- (2.1)Temperature: Above $60\text{ }^{\circ}\text{C}$ or under $-10\text{ }^{\circ}\text{C}$, the battery could not work.
Solution: to move battery to the normal operating temperature range between 0°C and 50°C .
- (2.2)Current: If current exceeds 110A , battery protection will turn on.
Solution: Check whether current is too large or not, if it is, change the settings on power supply side.
- (2.3)High Voltage: If charging voltage above 58.4V , battery protection will turn on.
Solution: Check whether voltage is too high or not, if it is, to change the settings on power supply side. And discharge the module.
- (2.4) Low Voltage: When the battery discharges to 40V or less, battery protection will turn on.
Solution: Charge the battery till the red light turns off.
- (2.5) Cell voltage high. The module voltage is lower than 44V , SOC LED does not all on. When discharge the module protection disappear.
Solution: keep charge the module by $57.6\text{-}58.4\text{V}$ or keep the system cycle. The BMS can balance the cell during cycling.
- (3) Unable to charge and discharge with red LED on. The temperature is $0\sim 50$ degree. Use charger to charge, not possible. Use load to discharge, not possible.
- (3.1) Under permanent protection. The single cell voltage has been higher than 3.8 or lower than 2.0 or temperature higher than 80 degree.
Solution: Switch off the module and contact your local distributor for repair.
- (3.2) Fuse broken.
Solution: Switch off the module and contact your local distributor for repair.

(4) Buzzer rings.

(4.1) Reverse connection of cables.

Solution: Power off all battery and inverters. Disconnect breaker. Check the cable connection and disconnect all power cables. Check the power port damaged or not. then try turn on the single module, without any cable connected. If no alarm, then it is reverse connection of cables. Switch off the module and contact your local distributor.

(4.2) MOSFAIL.

Solution: Power off all battery and inverters. Disconnect breaker. Check the cable connection and disconnect all power cables. Check the power port damaged or not. then try turn on the single module, without any cable connected. If still buzzer rings. Then it is mosfail. Switch off the module and contact your local distributor.

(5) After switch On, the module turns on directly

(5.1) BMS failure.

Solution: Switch off the module and contact your local distributor.

✘ Excluding the points above, if the faulty is still cannot be located, turn off battery and repair.

7. Emergency Situations

(1) Leaking Batteries

If the battery pack leaks electrolyte, avoid contact with the leaking liquid or gas. If one is exposed to the leaked substance, immediately perform the actions described below.

(1.1) Inhalation: Evacuate the contaminated area and seek medical attention.

(1.2) Contact with eyes: Rinse eyes with flowing water for 15 minutes and seek medical attention.

(1.3) Contact with skin: Wash the affected area thoroughly with soap and water and seek medical attention.

(1.4) Ingestion: Induce vomiting and seek medical attention.

(2) Fire

NO WATER! Only dry powder fire or carbon dioxide extinguisher can be used; if possible, move the battery pack to a safe area before it catches fire.

(3) Wet Batteries

If the battery pack is wet or submerged in water, do not let people access it, and then contact dealer for technical support. Cut off all power switch on inverter side.

(4) Damaged Batteries

Damaged batteries are dangerous and must be handled with the utmost care. They are not fit for use and may pose a danger to people or property. If the battery pack seems to be damaged, pack it in its original container, and then return it to dealer.

8. Remarks

Recycle and disposal

In case a battery (normal condition or damaged) needs disposal or needs recycling, it shall follow the local recycling regulation (i.e. Regulation (EC) N° 1013/2006 among European Union) to process, and using the best available techniques to achieve a relevant recycling efficiency.

Maintenance

- (1) It is required to charge the battery at least once every 6 months, for this charge maintenance make sure the SOC is charged to higher than 90%
- (2) Every year after installation. The connection of power connector, grounding point, power cable and screw are suggested to be checked. Make sure there is no loose, no broken, no corrosion at connection point. Check the installation environment such as dust, water, insect etc.
- (3) If the battery is stored for long time, it is required to charge them every six months, and the SOC should be higher than 90%

