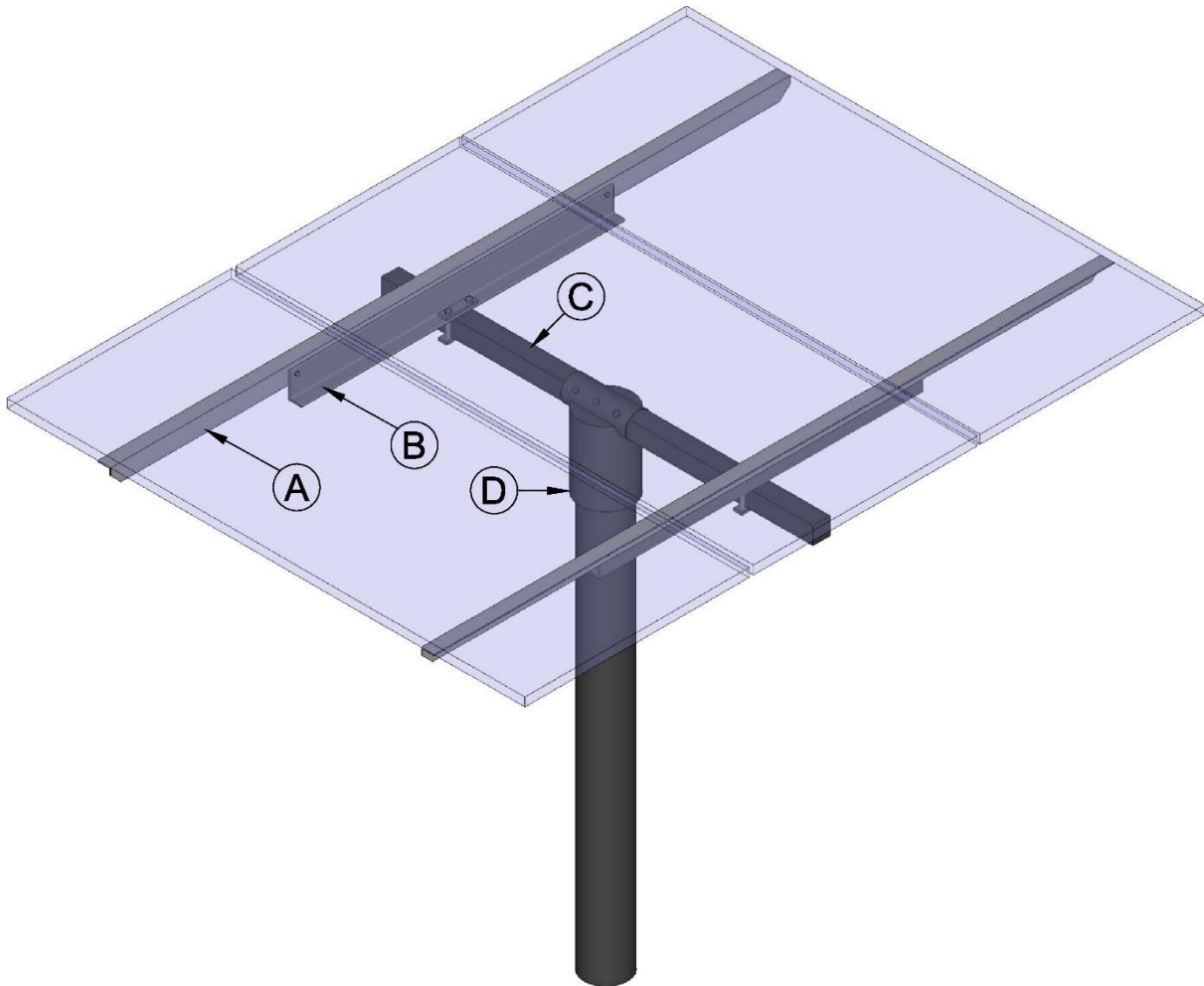


UPM 4X



- A. 2" X 1-1/2" ALUMINUM ANGLE WITH CHAMFERED ENDS
- B. 3" X 2" ALUMINUM ANGLE
- C. 2" X 2" SQ. TUBE WITH 3" ROUND TUBE BUSHING
- D. STEEL TEE SOCKET WITH SET BOLTS FOR ADJUSTMENT

Note: Number of panels may vary, length of rail may vary.

UPM 4X		
Standard stock Tee socket sized for 4" schedule 40 or 80 Pipe		
		REVISION:
		05.01.15

Materials and Instructions

<u>Part</u>	<u>UPM 4X</u>
Tee Socket (1)	5" O.D. steel socket with 3" O.D. pipe top
Center tube (1)	2" X 2" square tube with welded round tube in center
Crosspiece (2)	3" X 2" X 3/16" aluminum angle
Rails (2)	Either T-Slot aluminum or punched angle rails for mounting modules. 1/4" bolts used on either type of rail.
<u>Hardware Bags</u>	
Bag #1	4 - 3/8" X 1" bolts 8 - 3/8" stainless flat washers 4 - 3/8" nyloc nuts all for attaching Crosspieces to Rails 2 - set bolts for tightening Tee Socket to post 4 - 1/2" X 4" bolts 4 - 1/2" nyloc nuts (to be used with 4 - aluminum flat bars for attaching Crosspieces to Center tube - not in Bag #1)
Bag #2	Instructions, stainless bolts and flange nuts for mounting Panels to Rails

Assembly Instructions

- Put Tee Socket on top of 4" schedule 40 or 80 post.
- Slide Center tube into top of Tee Socket with one of the flat square tube surfaces horizontal (level).
- Tighten down on 3 set bolts on Tee Socket. Make sure center tube faces east/west, then tighten 2 square head set bolts on Tee Socket.
- Loosely attach Crosspieces on Center tube using flat bars and bolts provided.
- Attach aluminum panel Rails to Crosspieces with 3/8" bolts.
- Lay first module on top of Rails and adjust distance between Rails to fit mounting holes on modules in a landscape orientation.
- Attach modules to Rails. Start at one end of the Rails and add modules out from there, leaving approx. 1/4" space between modules. Make sure bolts are finger tight only.
- When all modules are attached and LOOSELY bolted, square up assembly by measuring diagonally from corner to corner of array and then tighten all the mounting bolts and the rest of the assembly hardware.

Recommendations for Dimensions of Post Hole for Standard Installation of General Specialties Manufacturing Top of Pole Mounts

UPM Model	Depth of Hole	Width of Square Hole / Cubic Yards of concrete needed	Diameter of Round Hole / Cubic Yards of concrete needed
All 4X	50"	18" / .34 CY	23 " / .44 CY

Your building department may require the foundation for a PV array post mount to be designed by a structural engineer licensed in the state where the PV array is to be erected. This is required because failure of a post mount foundation may be a threat to the safety of people and property in its proximity. At a minimum, failure will result in costly damage to the PV modules. The foundation described here is suitable for most soil types, but no warranty of its suitability for your particular soil or wind conditions is offered or implied.

If you are unable to dig holes of these dimensions because you encounter bed rock or if you have very loamy or loose sandy soil, (get the recommendation of a soil engineer or building department), then you may have to seek a design for an alternative foundation construction.

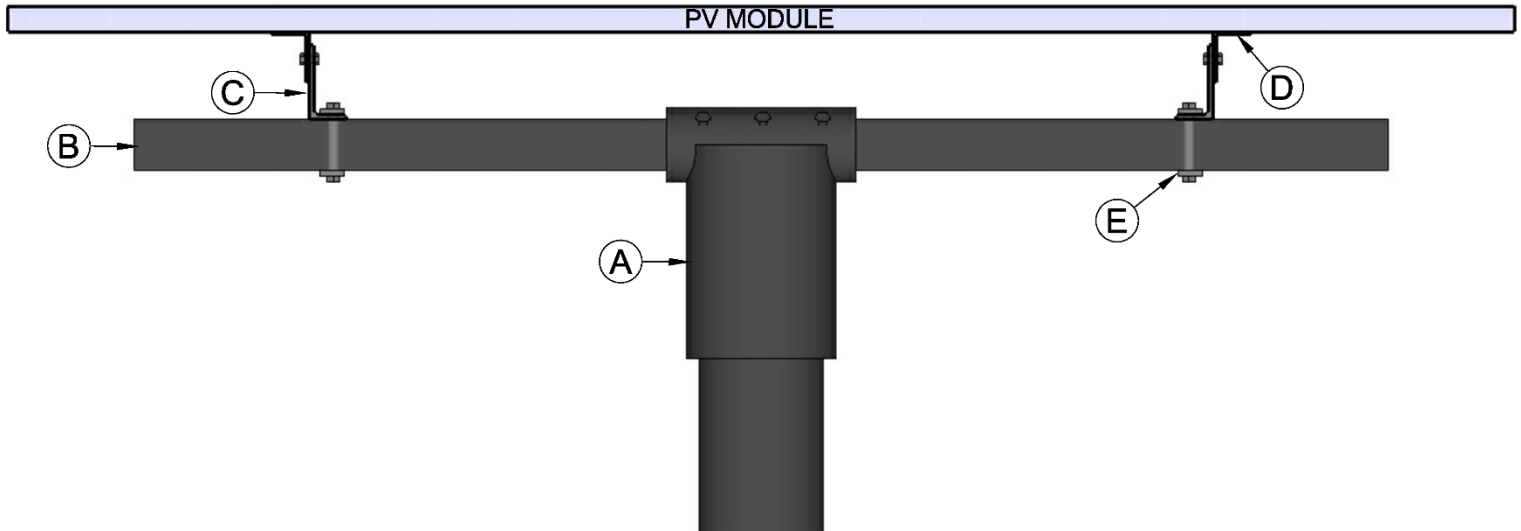
For type and size of pole to install in concrete foundation, refer to chart below.

General Specialties Recommendations for Pole Height and Dimension for Top of Pole Mounts

We cannot guarantee a standard 1.67 safety factor if these recommendations are not observed. Since we cannot assess each customer's individual site and conditions, a professional installer and the local building department should be consulted for the safest and most effective installation.

UPM Model	Post Size (sch = schedule, or thickness of pipe wall)	Max Pole Height above concrete Base w/array @ 45° tilt	Clearance between top of concrete and lowest point on array @ 45° tilt	Max Pole Height above concrete base w/array @ 60° tilt	Clearance between top of concrete and lowest point on array @ 60° tilt	Max Pole Height above concrete base w/array @ 90° tilt	Clearance between top of concrete and lowest point on array @ 90° tilt
UPM4X Standard stock tee socket 4"	4" sch 40 4 ½" OD	7' 6"	4' 8"	6'	2' 6"	5' 3"	1' 1"
	4" sch 80 4 ½" OD	10'	7' 2"	8'	4' 6"	6' 9"	2' 7"

Rail Configuration



- A. BLACK POWDER COATED TEE
- B. SQUARE GALVANIZED CENTER TUBE WITH ROUND TUBE BUSHING
- C. ALUMINUM ANGLE CROSS PIECE
- D. ALUMINUM ANGLE RAIL
- E. ALUMINUM FLAT BAR WITH 2 HOLES

Note: Rails may toe in or toe out depending on panel mounting hole location. Number of panels may vary.

UPM 4X BRACKET AND RAIL CONFIGURATION		
Standard stock Tee socket sized for 4" schedule 40 or 80 Post		
		REVISION:
		06.26.14