

DESCRIPTION:  
**SNAPRACK, ULTRA RAIL STANDARD BASE SEAM CLAMP WITH L FOOT AND LOCK**

DRAWN BY:

mwatkins

**SnapRack™**  
**Solar Mounting Solutions**

PART NUMBER(S):

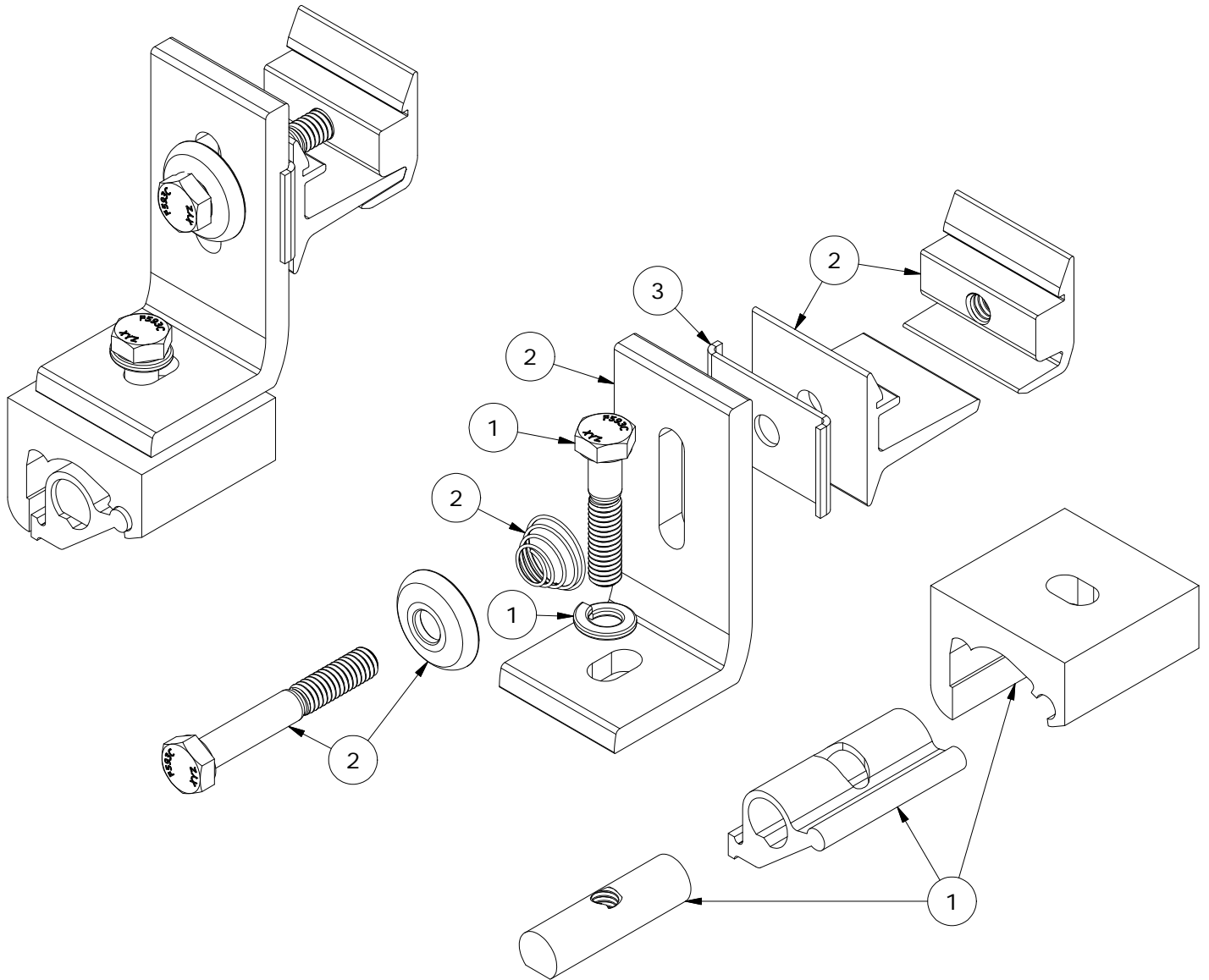
242-05158

REVISION:

**A**

595 MARKET STREET, 29TH FLOOR • SAN FRANCISCO, CA 94105 USA  
 PHONE (415) 580-6900 • FAX (415) 580-6902

THE INFORMATION IN THIS DRAWING IS CONFIDENTIAL AND PROPRIETARY. ANY REPRODUCTION, DISCLOSURE, OR USE THEREOF IS PROHIBITED WITHOUT THE WRITTEN CONSENT OF SUNRUN SOUTH LLC.



**PARTS LIST**

ITEM	QTY	DESCRIPTION
1	1	SNAPRACK, STANDARD BASE SEAM CLAMP
2	1	SNAPRACK, ULTRA FOOT FOR 5/16IN, SILVER
3	1	SNAPRACK, SEAM CLAMP ROTATION LOCK

MATERIALS:

6000 SERIES ALUMINUM, STAINLESS STEEL

OPTIONS:

DESIGN LOAD (LBS):

598 UP, 461 DOWN, 275 SIDE

ULTIMATE LOAD (LBS):

1463 UP, 652 DOWN, 602 SIDE

TORQUE SPECIFICATION:

16.7 LB-FT

CERTIFICATION:

UL 2703, FILE E359313

WEIGHT (LBS):

0.70

DESCRIPTION:  
**SNAPRACK, ULTRA RAIL STANDARD BASE SEAM  
 CLAMP WITH L FOOT AND LOCK**

DRAWN BY:

mwatkins

REVISION:

**A**

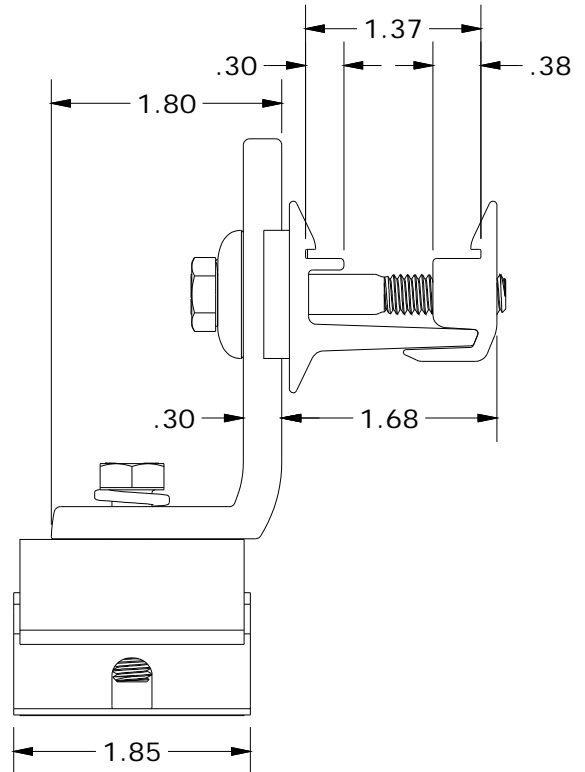
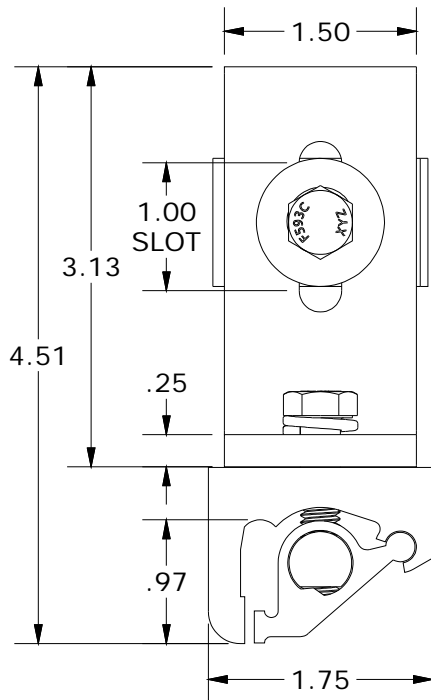
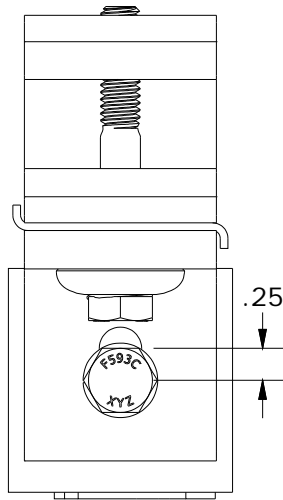
**SnapNrack™**  
 Solar Mounting Solutions

PART NUMBER(S):

**242-05158**

595 MARKET STREET, 29TH FLOOR • SAN FRANCISCO, CA 94105 USA  
 PHONE (415) 580-6900 • FAX (415) 580-6902

THE INFORMATION IN THIS DRAWING IS CONFIDENTIAL AND PROPRIETARY. ANY  
 REPRODUCTION, DISCLOSURE, OR USE THEREOF IS PROHIBITED WITHOUT THE  
 WRITTEN CONSENT OF SUNRUN SOUTH LLC.



ALL DIMENSIONS IN INCHES