



# DIRECT VENT WALL FURNACE



## Installation and Operating Instructions

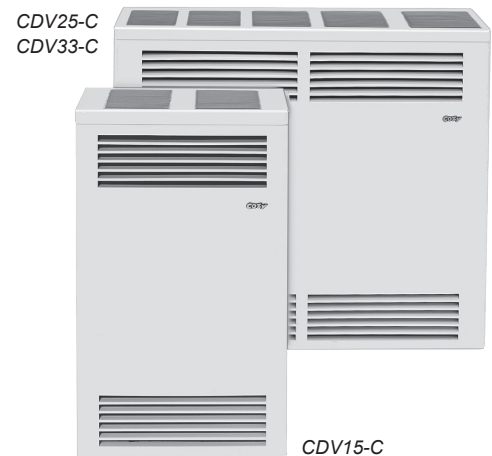


Natural Gas - CDV155C, CDV255C, CDV335C | Propane Gas - CDV156C, CDV256C, CDV336C

**⚠ WARNING:** If the information in these instructions is not followed exactly, a fire or explosion may result causing property damage, personal injury or loss of life.

- Do not store or use gasoline or other flammable vapors and liquids in the vicinity of this or any other appliance.
- **WHAT TO DO IF YOU SMELL GAS**
  - Do not try to light any appliance.
  - Do not touch any electrical switch; do not use any phone in your building.
  - Immediately call your gas supplier from a neighbor's phone. Follow the gas supplier's instructions.
  - If you cannot reach your gas supplier, call the fire department.
- Installation and service must be performed by a qualified installer, service agency or the gas supplier.

**INSTALLER:** Leave this manual with the appliance.  
**CONSUMER:** Retain this manual for future reference.



- The coating selected to provide longer life to the heat exchanger **may smoke slightly upon initial firing.** Provide adequate ventilation if this occurs.
- Installation, maintenance, service, troubleshooting & repairs must be performed by a qualified service agency. DO NOT attempt any of these procedures if you are not qualified as this could expose you to property damage, personal injury, or loss of life and will invalidate all warranties.
- This unit is for residential use only and is not approved for installation in greenhouses, or environments involving dusty, wet, corrosive, or explosive conditions. Such conditions will invalidate the warranty and may create unsafe conditions.

*The appliance may be installed in an aftermarket permanently located, manufactured home (USA only) or mobile home, where not prohibited by local codes. This appliance is only for use with the type of gas indicated on the rating plate. This appliance is not convertible for use with other gases, unless a certified kit is used.*

**CONTENTS**

**READ CAREFULLY BEFORE INSTALLING UNIT**

**Before Installation**

Standards ..... 2  
 Specifications ..... 3  
 Introduction ..... 3  
 Safety ..... 3-4  
 Venting ..... 4  
 Clearances ..... 5-6

**Installation**

Special Precautions & Location ..... 6  
 Installation Steps ..... 7-10  
 Gas Connection ..... 10  
 Lighting Instructions ..... 11

**Maintenance**

Pilot Adjustment ..... 12  
 Burner Orifice & Orifice Chart ..... 13  
 Thermostat Installation ..... 13  
 Removing Burner ..... 14  
 Service Records ..... 14  
 Troubleshooting Charts ..... 15

DVB-3 Blower Installation ..... 16-17  
 BBSK Installation ..... 18  
 BBSK Lighting Instructions ..... 19

**Parts**

Part List:  
 CDV155 & CDV156 ..... 20 - 21  
 Part List: CDV255, CDV256,  
 CDV335 & CDV356 ..... 22 - 23

**Warranty** ..... 24

These installation instructions are a general guide and do not supersede applicable local codes and ordinances. Before planning or making the installation be sure it complies with all phases of the local heating code. (Or, in the absence of local codes, with the latest edition of National Fuel Gas Code, ANSI.Z223.1, or CAN1-B149).

The appliance, when installed, must be electrically grounded in accordance with local codes, or in the absence of local codes, with the latest edition of National Electrical Code ANSI / NFPA 70, or Canadian Electrical Code CSA-C22.1.

All of the ANSI and NFPA standards referred to in these installation instructions are the ones that were applicable at the time the design of this appliance was certified.

NFPA Standards:  
**NATIONAL FIRE PROTECTION ASSOCIATION**  
 1 Batterymarch Park  
 Quincy, Massachusetts | USA 02169-7471

ANSI & Canadian Standards:  
**CSA GROUP**  
 178 Rexdale Boulevard,  
 Toronto, Ontario | Canada M9W 1R3

The design of this appliance was certified to comply with the latest edition of ANSI Z21.86 and CSA 2.32.

*Installer must leave these instructions with the consumer, have them complete, and return the warranty card.*

**The State of Massachusetts requires that installation and service of a gas appliance be performed by a plumber or gas fitter licensed in the Commonwealth of Massachusetts.**

## SPECIFICATIONS & DIMENSIONS

Your Direct Vent Wall Furnace is shipped complete in one carton. This carton contains the furnace, vent cap, vent tube, air inlet tube, template with rough-in dimensions, installation and operating instructions, and the thermostat with thermostat wire.

*NOTE: There will be two cartons if an optional vent kit or blower is purchased.*

<b>MODEL NUMBERS</b>	<i>CDV155C</i>	<i>CDV156C</i>	<i>CDV255C</i>	<i>CDV256C</i>	<i>CDV355C</i>	<i>CDV336C</i>
Gas Type	Natural	Propane	Natural	Propane	Natural	Propane
Height	29-3/4"		31-3/4"		31-3/4"	
Width	18"		34-1/2"		34-1/2"	
Depth	9-3/4"		9-3/4"		9-3/4"	
Input (BTU / HR)	15,000		25,000		33,000	
Gas Inlet	1/2"		1/2"		1/2"	
Vent Size / Wall Opening	9"		9"		9"	
Minimum - Maximum Wall Thickness	5" - 24"		5" - 24"		5" - 15"	
Approximate Shipping Weight	65 lbs		99 lbs		99 lbs	
Optional Blower Model	DVB3		DVB3		DVB3	

## INTRODUCTION

THIS IS A GAS-FIRED, DIRECT VENT WALL FURNACE THAT WILL OPERATE SAFELY AND PROVIDE AN EFFICIENT SOURCE OF HEAT WHEN INSTALLED, OPERATED AND MAINTAINED AS RECOMMENDED IN THESE INSTALLATION AND OPERATING INSTRUCTIONS. READ THESE INSTRUCTIONS THOROUGHLY BEFORE INSTALLING, SERVICING, OR USING THE APPLIANCE. IF YOU DO NOT UNDERSTAND ANY PART OF THESE INSTRUCTIONS CONSULT LOCAL AUTHORITIES, OTHER QUALIFIED INSTALLERS, SERVICE TECHNICIAN, THE GAS SUPPLIER OR THE MANUFACTURER.

## SAFETY

1. Improper installation, adjustment, alteration, service, or maintenance can cause property damage, bodily injury or death.
2. Use in anything other than a residential application may result in unsatisfactory performance and may void the warranty.
3. This appliance must be installed in accordance with local codes, if any; if not, follow the National Fuel Gas Code ANSI Z223.1/NFPA 54 or the National Gas and Propane Installation Code CSA-B149.1.
4. Do not install this wall furnace in a recreational vehicle or trailer.
5. Do not operate wall furnace unless it is connected to the factory supplied vent system with vent cap in place.
6. Check the rating label attached to the wall furnace to be sure it is equipped for the type gas you intend to use.
7. Never use a match, candle, flame or other source of ignition to check for gas leaks. Use only soapy water or liquid detergent.
8. Have your wall furnace and vent system inspected at least annually by a qualified service technician.
9. Before cleaning or servicing, turn off the gas and allow furnace to cool.
10. Do not operate wall furnace without outer casing in place.
11. Due to high temperatures, the wall furnace should be located out of traffic and away from furniture and drapes.
12. Children and adults should be alerted to the hazard of high surface temperature and should be kept away to avoid burns or clothing ignition.
13. Young children should be carefully supervised when they are in the same room with the wall furnace.
14. Do not place clothing or other flammable material on/ near the furnace.
15. Installation and repair should be done by a qualified service technician. The wall furnace should be inspected before use and at least annually by a professional service technician. More frequent cleaning may be required due to excessive lint from carpeting, bedding material, etc.

## SAFETY - Continued

It is imperative that control compartments, burner, and circulating air passageways of the furnace be kept clean.

16. Do not install in a closet, alcove, or small hallway where the furnace could be isolated from the space to be heated by closing a door.
17. Do not put anything around the furnace or vent cap that will obstruct the flow of combustion and ventilation air.
18. The appliance, when installed, must be electrically grounded in accordance with local codes or, in the absence of local codes, with the latest edition of National Electrical Code, ANSI/NFPA 70. In Canada, use CSA C22.1 Canadian Electrical Code.
19. Never operate this furnace without the sight glass in place or with the glass broken or missing.
20. If it is suspected that rising water may enter the furnace, turn off the gas immediately. Do not use this appliance if any part has been under water. Immediately call a qualified service technician to inspect the appliance and to replace any part of the control system and any gas control which has been under water.
21. It is necessary to replace damaged gaskets or sealing material within the vent or air intake system. Failure to do so may result in property damage, personal injury or loss of life.
22. Any safety screen or guard removed for servicing must be replaced prior to operating heater.
23. A gas appliance must not be connected to a chimney flue serving a separate solid-fuel burning appliance.

## VENTING

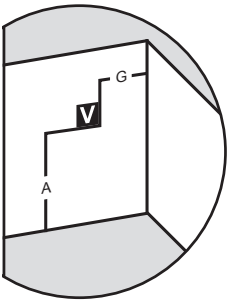
### **WARNING: CARBON MONOXIDE POISONING HAZARD**

**Failure to follow the steps outlined below for each appliance connected to the venting system being placed into operation could result in carbon monoxide poisoning or death.**

*The following steps shall be followed for each appliance connected to the venting system being placed into operation, while all other appliances connected to the venting system are not in operation:*

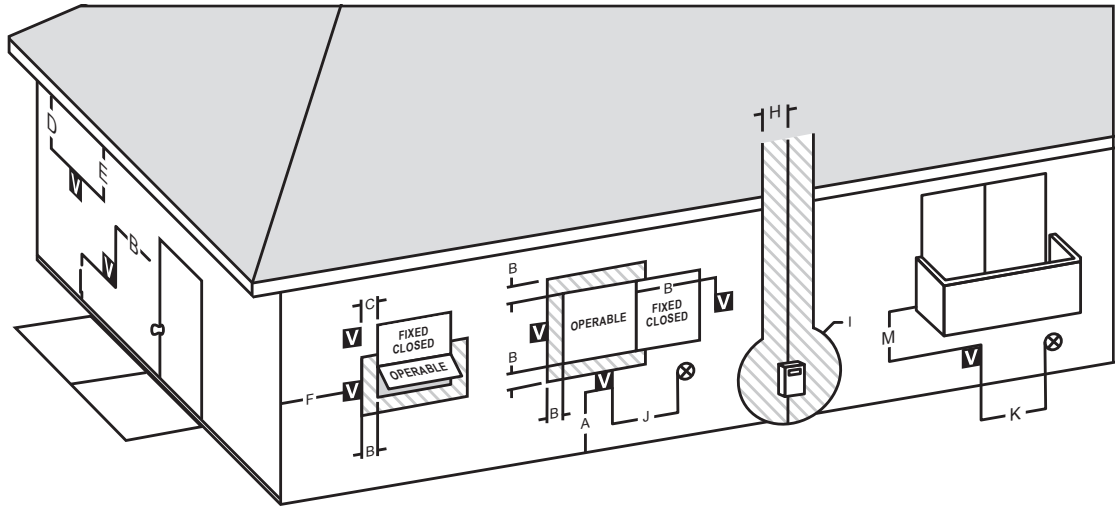
- 1) Seal any unused openings in the venting system.
- 2) Inspect the venting system for proper size and horizontal pitch, as required in the National Fuel Gas Code, ANSI Z223.1/NFPA 54 or the Natural Gas and Propane Installation Code, CSA B149.1 and these instructions. Determine that there is no blockage or restriction, leakage, corrosion and other deficiencies which could cause an unsafe condition.
- 3) As far as practical, close all building doors and windows and all doors between the space in which the appliance(s) connected to the venting system are located and other spaces of the building.
- 4) Close fireplace dampers.
- 5) Turn on clothes dryers and any appliance not connected to the venting system. Turn on any exhaust fans, such as range hoods and bathroom exhausts, so they are operating at maximum speed. Do not operate a summer exhaust fan.
- 6) Follow the lighting instructions. Place the appliance being inspected into operation. Adjust the thermostat so appliance is operating continuously.
- 7) Test for spillage from draft hood equipped appliances at the draft hood relief opening after 5 minutes of main burner operation. Use the flame of a match or candle.
- 8) If improper venting is observed during any of the above tests, the venting system must be corrected in accordance with the National Fuel Gas Code, ANSI Z223.1/NFPA 54 and/or Natural Gas and Propane Installation Code, CSA B149.1.
- 9) After it has been determined that each appliance connected to the venting system properly vents when tested as outlined above, return doors, windows, exhaust fans, fireplace dampers and any other gas-fired burning appliance to their previous conditions of use.

## CLEARANCES



Inside  
Corner  
Detail

- V** = Vent Terminal
- X** = Air Supply Inlet
- = Area where terminal is not permitted



REFERENCE LETTER TO DRAWING	CANADIAN INSTALLATIONS*	U.S. INSTALLATIONS**
<b>A</b> Clearance above grade, veranda, porch, deck, or balcony	12 Inches (30 cm)	12 Inches (30 cm)
<b>B</b> Clearance to window or door that may be opened	12 Inches (30 cm)	9 Inches (23 cm)
<b>C</b> Clearance to permanently closed window	12 Inches (30 cm)	9 Inches (23 cm)
<b>D</b> Vertical clearance to ventilated soffit located above the terminal within a horizontal distance of 2 Feet (61 cm) from the center line of the terminal	18 Inches (46 cm)	18 Inches (46 cm)
<b>E</b> Clearance to unventilated soffit	18 Inches (46 cm)	18 Inches (46 cm)
<b>F</b> Clearance to outside corner	12 Inches (30 cm)	12 Inches (30 cm)
<b>G</b> Clearance to inside corner	12 Inches (30 cm)	12 Inches (30 cm)
<b>H</b> Clearance to each side of center line extended above meter/regulator assembly	3 Feet (91 cm) <i>within a height 15 Feet (4.5m) above the meter / regulator assembly</i>	Clearance in accordance with local installation codes & requirements of the gas supplier
<b>I</b> Clearance to service regulator vent outlet	3 Feet (91 cm)	Clearance in accordance with local installation codes & requirements of the gas supplier
<b>J</b> Clearance to nonmechanical air supply inlet to building or the combustion air inlet to any other appliance	12 Inches (30 cm)	12 Inches (30 cm)
<b>K</b> Clearance to a mechanical air supply inlet	6 Feet (1.83 m)	3 Feet (91 cm) above if within 10 Feet (3 m) horizontally
<b>L</b> Clearance above paved sidewalk or paved driveway located on public property	7 Feet (2.13m) <i>A vent shall not terminate directly above a sidewalk or paved driveway that is located between two single family dwellings &amp; serves both dwellings</i>	Clearance in accordance with local installation codes & requirements of the gas supplier
<b>M</b> Clearance under veranda, porch, deck, or balcony	12 Inches (30 cm) <i>Permitted only if veranda, porch, deck, or balcony is fully open on a minimum of two sides</i>	Clearance in accordance with local installation codes & requirements of the gas supplier

\*In accordance with the current CSA-B149.1 Natural Gas and Propane Installation Code

\*\*In accordance with the current ANSI Z223.1 / NFPA 54 National Fuel Gas Code

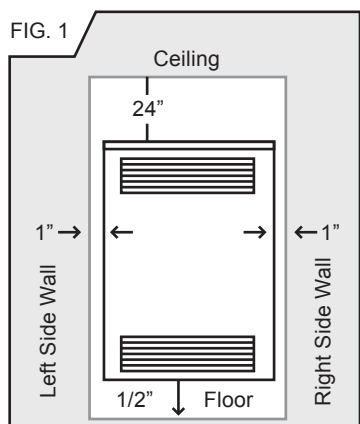
## CLEARANCES - Continued

1. If the wall furnace is installed directly on carpeting, tile or any combustible material other than wood flooring, the wall furnace shall be installed on a metal plate or wood panel secured to the floor, extending the full width and depth of the wall furnace.

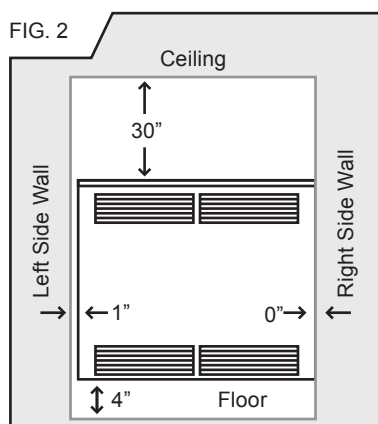
### 2. RESIDENTIAL GARAGE INSTALLATION:

Gas utilization equipment in residential garages shall be installed so that all burners and burner ignition devices are located not less than 18 inches (46cm) above the floor. Such equipment shall be located, or protected so it is not subject to damage by a moving vehicle. Use care in selecting a good location within the garage.

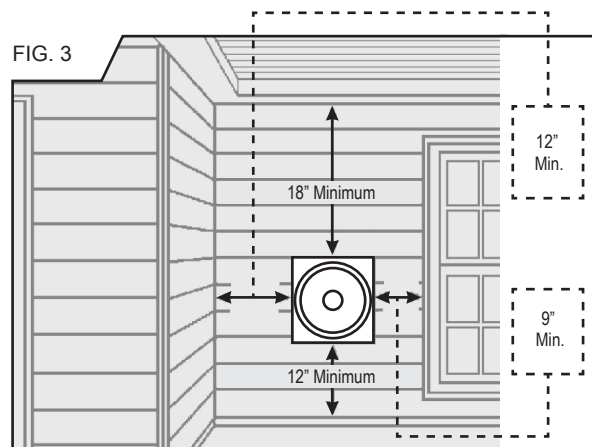
- **DO NOT** locate the appliance where heated air will be directed onto a nearby parked vehicle.
- Paint may discolor or rubber may harden and crack.
- **DO NOT** allow heated discharge air to blow directly onto open or closed containers of paint, gasoline or other liquids having flammable vapors.



CDV15-C



CDV25-C / CDV33-C-C



ALL VENT CAPS

### SPECIAL PRECAUTIONS

Due to high temperatures the appliance should be located out of traffic and away from furniture and draperies.

Children and adults should be alerted to the hazards of high surface temperature and should stay away to avoid burns or clothing ignition.

Young children should be carefully supervised when they are in the same room as the appliance.

Clothing or other flammable material should not be placed on or near the appliance.

Any safety screen, guard, or casing top removed for servicing a room heater must be replaced prior to operating the appliance.

Do not use this heater if any part has been under water. Immediately call a qualified service technician to inspect the heater and to replace any part of the control system and any gas control which has been under water.

### LOCATION

- 1) The wall furnace must be installed on an outside wall.
- 2) For optimal heat distribution, locate furnace as centrally as possible in the area to be heated and where occupants may move about freely without coming into contact with the grille.
- 3) If the furnace is installed in a basement, a 12" clearance must be maintained between ground level and the bottom of the vent cap. Do not install furnace where vent cap will terminate in a window well or any other opening below ground level.



## INSTALLATION

**⚠ WARNING: Failure to follow these instructions carefully could result in poor performance, property damage, personal injury or death.**

### STEP 1. LOCATE VENT OPENING

Locate wall studs and center 9" vent opening a minimum of 22" for CDV15 or 24-1/8" for CDV25/33 above the floor. To locate furnace at minimum clearance from floor, remove template from carton and set on floor at location desired.

**For model CDV15:**

Position template no closer than 1" from either side wall.

**For model CDV25/33:**

Position template 1" minimum from a left side wall or 0" from a right side wall.

Check outside wall to be sure there is proper clearances around the vent cap. **See Figure 3.** Next, mark and cut out the vent openings on both the inside and outside walls (be sure to keep the holes level). **See Figure 5.** If a higher location on the wall is desired, raise bottom of template to desired height, make sure template is level and centered between studs, mark and cut out vent openings.

### STEP 2. ROUGH-IN GAS SUPPLY

Install a 1/2" diameter gas supply line. This line can enter through the floor, side, or rear wall. For location of gas connection to valve, **See Figure 4.** The gas supply line must have an individual manual shut off valve located outside the cabinet, accessible from the room where the heater is installed. Install a drip leg immediately ahead of the gas valve and provide a 1/8" N.P.T. plugged tapping, accessible for test gauge connection, immediately upstream of the gas supply connection. The furnace and the individual shut off valve must be disconnected from the gas supply piping system during any pressure testing of that system at test pressures in excess of 1/2" psig (3.5kPa). The furnace must be isolated from the gas supply piping system by closing the individual manual shut off valve during any pressure testing of the gas piping system at test pressures equal to or less than 1/2" psig (3.5kPa).

### STEP 3. INSTALLING FURNACE ON STANDARD WALLS (5" - 9")

Use only the exhaust tube, air intake tube, wall thimble extension, and vent terminal provided with furnace. Do not attempt to lengthen the exhaust or air intake tubes, this could cause an imbalance in the furnace resulting in poor performance and pilot outage, **see Figure 6.**

Extend the telescoping wall thimble extension (surrounding the wall thimble assembly) to approximately 9 inches. Center the wall thimble assembly in the 9-inch opening and attach to inside wall using eight (8) screws. The wall thimble extension should extend through the opening and be adjusted so end of wall thimble extension is even with outside wall. Install furnace flush to wall by sliding exhaust tube and air intake tube through the wall thimble assembly. Secure the furnace to the wall with screws through each of the four holes in the mounting brackets located on the back of the furnace. These holes are spaced so as to allow the screws to enter into studs that are on 16-inch centers. On certain types of wall, anchors (not provided) may be required.

Slide the vent terminal onto the exhaust tube and the air intake tube. Secure vent terminal and vent terminal spacer plate to wall providing a slight downward slope to the vent tubes. This will prevent water from entering. Anchors (not provided) may be required. Caulk around vent terminal spacer plate with putty provided. **See Figure 7.**

*NOTE: Some framing may be necessary to provide a flat surface for the vent terminal spacer plate to butt against, so rain cannot enter through cut out.*

## INSTALLATION FOR ALTERNATE WALL DIMENSIONS

### 9" TO 15" WALLS ( CDV15 / CDV25-C )

For 9" to 15" wall use Vent Kit No. VK1525/9-15-B. Do not attempt to lengthen the exhaust tube, air intake tube, or wall thimble extension provided with furnace or the VK1525/9-15-B Vent Kit. Disconnect the air intake tube, and the exhaust tube from the back of the furnace and discard. **See Figure 6.** Replace with exhaust tube and air intake tube from Kit No. VK1525/9-15-B.

Discard the 5" telescoping wall thimble extension that surrounds the wall thimble assembly. Center the wall thimble assembly in the 9" opening and attach to inside wall using eight (8) screws. Install furnace flush to wall by sliding exhaust tube and air intake tube through the wall thimble assembly. Secure the furnace to the wall with screws through each of the four holes in the mounting brackets located on the back of the furnace. These holes are spaced so as to allow the screws to enter into studs that are on 16-inch centers. On certain types of wall, anchors (not provided) may be required.

From outside the building install the thick wall thimble extension, Part No. 43835, supplied in Vent Kit No. VK1525/9-15-B by sliding it through the cut out and over the wall thimble assembly. The wall thimble extension should be even with the outside wall (some trimming may be necessary). Slide the vent terminal onto the exhaust tube and the air intake tube. Secure vent terminal and vent terminal spacer plate to wall providing a slight downward slope to the vent tubes. This will prevent water from entering. Anchors (not provided) may be required. Caulk around the vent terminal spacer plate with putty provided. **See Figure 7.**

*NOTE: Some framing may be necessary to provide a flat surface for the vent terminal spacer plate to butt against, so rain cannot enter through cut out.*

### 15" TO 24" WALLS ( CDV15 / CDV25-C )

For 15" to 24" wall use only Vent Kit No. VK1525/15-24-B. Do not attempt to lengthen the exhaust tube, air intake tube, or wall thimble extension provided with furnace. The VK1525/15-24-B Vent Kit has a one inch restrictor in the exhaust tube which is necessary for proper and safe operation of this furnace. Do not use any other vent kit. Disconnect the air intake tube and the exhaust tube from the back of the furnace and discard, **see Figure 6.** Install the exhaust tube and air intake tube from Vent Kit No. VK1525/15-24-B.

Discard the 5" telescoping wall thimble extension that surrounds the wall thimble assembly. Center the wall thimble assembly in the 9" opening and attach to inside wall using eight (8) screws. Install furnace flush to wall by sliding exhaust tube and air intake tube through the wall thimble assembly. Secure the furnace to the wall with screws through each of the four holes in the mounting brackets located on the back of the furnace. These holes are spaced so as to allow the screws to enter into studs that are on 16-inch centers. On certain types of walls, anchors (not provided) may be required.

From outside the building install the wall thimble extension, Part No. 43730, supplied in Vent Kit No. VK1525/15-24-B by sliding it through the cut out and over the wall thimble extension. For walls 15" to 19" the wall thimble extension, air intake tube, and the exhaust tube must be trimmed even with the outside wall. Slide the vent terminal onto the exhaust tube and into the air intake tube. Secure vent terminal and vent terminal spacer plate to wall providing a slight downward slope to the vent tubes. This will prevent water from entering. Anchors (not provided) may be required. Caulk around the vent terminal spacer plate with putty provided, **See Figure 7.**

*NOTE: Some framing may be necessary to provide a flat surface for the vent terminal spacer plate to butt against, so rain cannot enter through the cut out.*

### 9" TO 15" WALLS ( CDV33-C )

For 9" to 15" wall use Vent Kit No. VK33/9-15-B. Do not attempt to lengthen the exhaust tube, air intake tube, or wall thimble extension provided with furnace or the VK33/9-15-B Vent Kit. Disconnect the air intake tube, and the exhaust tube from the back of the furnace and discard. **See Figure 6.** Replace with exhaust tube and air intake tube from Kit No. VK33/9-15-B.

Discard the 5" telescoping wall thimble extension that surrounds the wall thimble assembly. Center the wall thimble assembly in the 9" opening and attach to inside wall using eight (8) screws. Install furnace flush to wall by sliding exhaust tube and air intake tube through the wall thimble assembly. Secure the furnace to the wall with screws through each of the four holes in the mounting brackets located on the back of the furnace. These holes are spaced so as to allow the screws to enter into studs that are on 16-inch centers. On certain types of walls, anchors (not provided) may be required.

From outside the building install the thick wall thimble extension, Part No. 43835, supplied in Vent Kit No. VK33/9-15-B by sliding it through the cut out and over the wall thimble assembly. The wall thimble extension should be even with the outside wall (some trimming may be necessary). Slide the vent terminal onto the exhaust tube and the air intake tube. Secure vent terminal and vent terminal spacer plate to wall providing a slight downward slope to the vent tubes. This will prevent water from entering. Anchors (not provided) may be required. Caulk around the vent terminal spacer plate with putty provided. **See Figure 7.**

*NOTE: Some framing may be necessary to provide a flat surface for the vent terminal spacer plate to butt against, so rain cannot enter through cut out.*



## INSTALLATION

FIG. 4

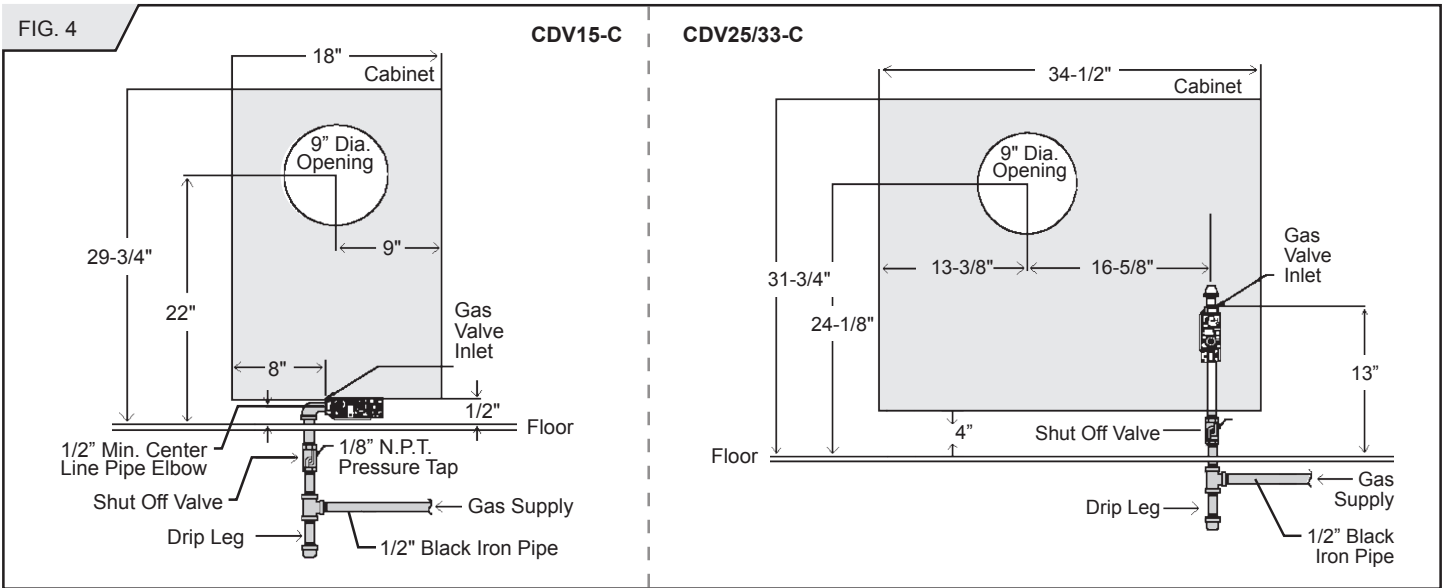


FIG. 5

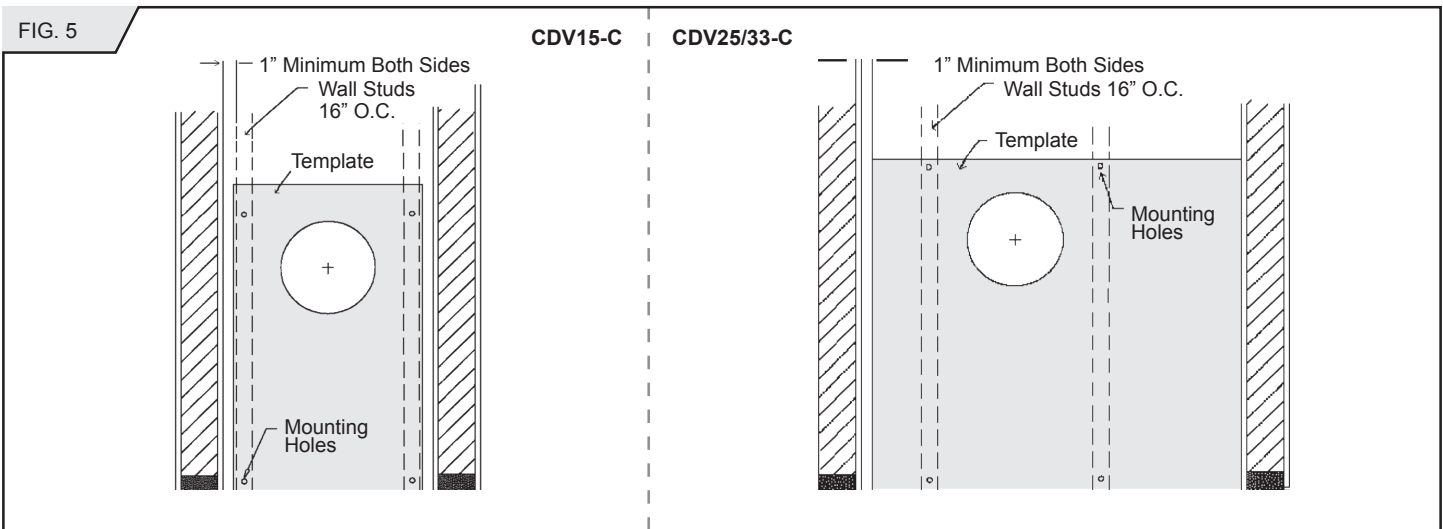
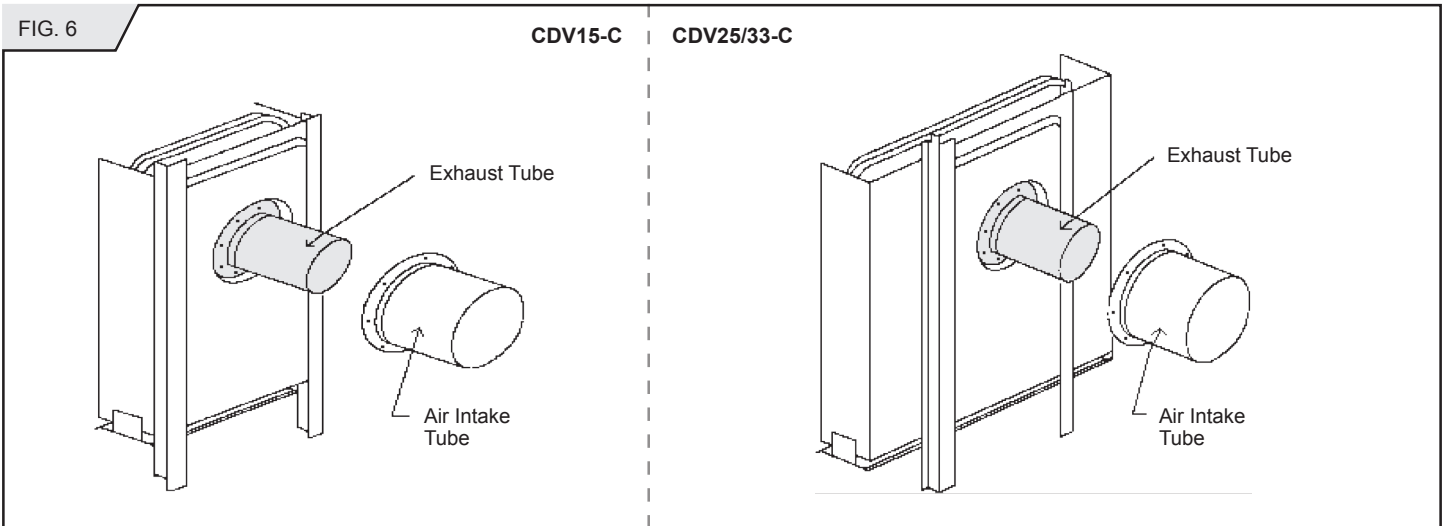
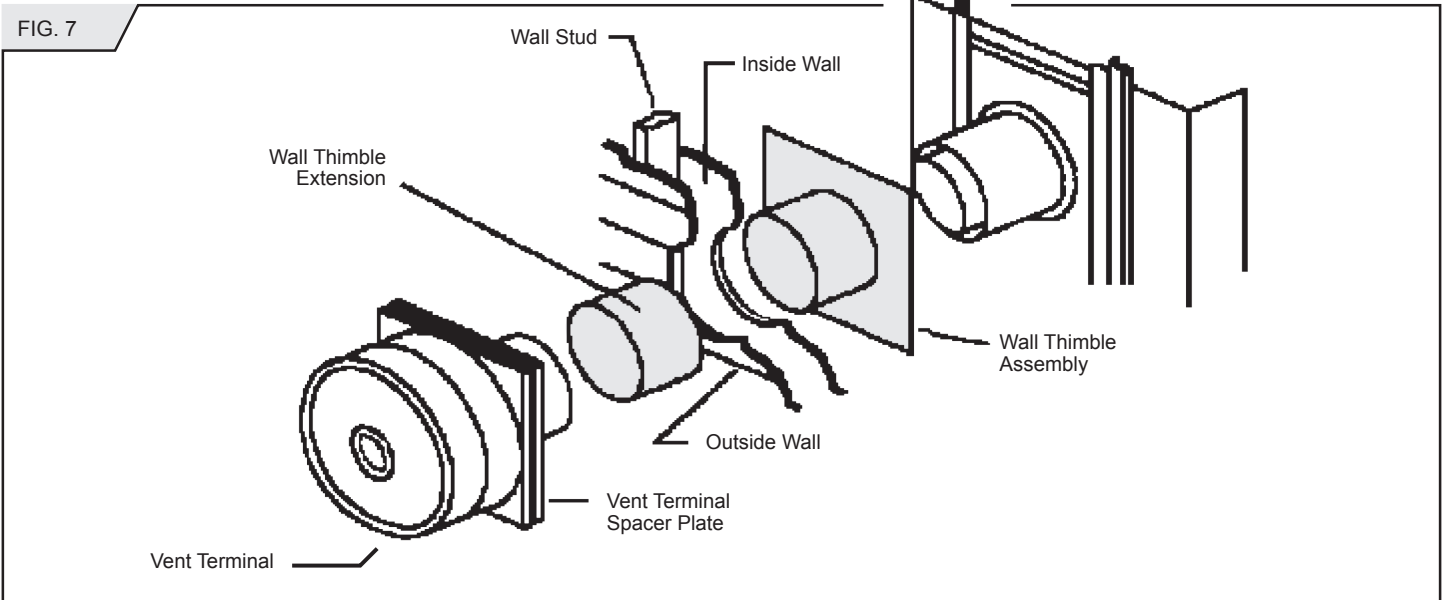


FIG. 6



## INSTALLATION



### GAS CONNECTION

This heater must be connected to a gas supply capable of supplying the full rated capacity. Provide a 1/8 inch N.P.T. plugged tapping, accessible for test gauge connection, immediately upstream of the gas supply connection to the appliance.

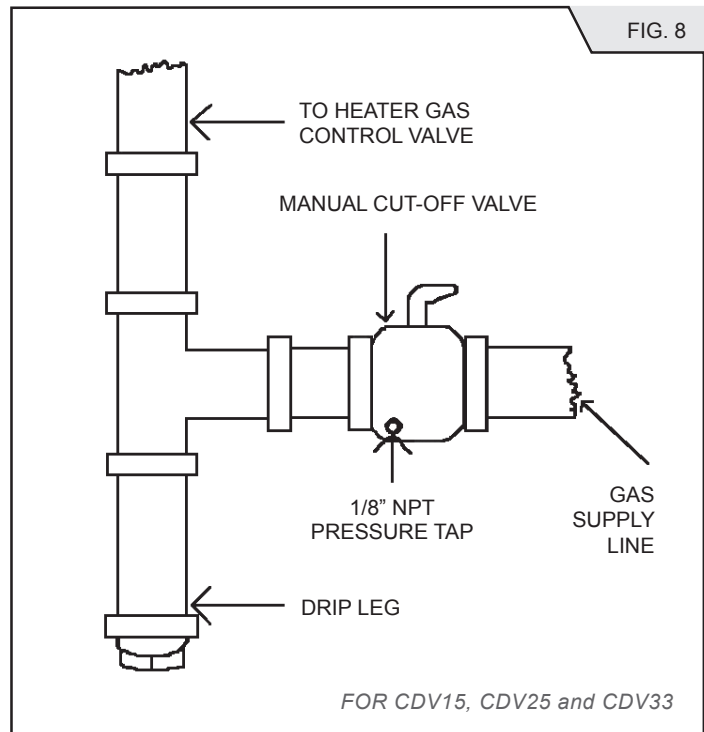
GAS SUPPLY PIPE	NATURAL GAS	PROPANE GAS
<b>Minimum Inlet Pressure</b> <i>(For purpose of input adjustment):</i>	4.5" w.c.	11.0" w.c.
<b>Maximum Inlet Pressure</b> <i>(Must NEVER Exceed):</i>	7" w.c.	14" w.c.
<b>Normal Manifold Pressure:</b> <i>(Pre-set at the factory)</i>	3.5" w.c.	10.0" w.c.

*The gas supply piping should be sized in accordance with ANSI Z223.1 National Fuel Gas Code.*

If the outlet pressure of the gas valve must be adjusted, this must be done by a qualified service technician using proper tools and instruments.

Check all connections with soapy water for possible gas leaks. Never use a match, candle or other ignition source. It is recommended that pipe compound which is resistant to the action of liquefied petroleum gases be used. Do not use Teflon tape or Teflon impregnated compound.

The appliance and its individual shutoff valve must be



disconnected from the gas supply piping during any pressure testing of that system at test pressure in excess of 1/2 psig.

The appliance must be isolated from the gas supply piping by closing its individual manual shutoff valve during any pressure testing of the gas supply piping system at test pressures equal to or less than 1/2 psig.

## LIGHTING INSTRUCTIONS

MODELS: CDV155C / CDV156C / CDV255C / CDV256C / CDV335C / CDV336C


### WARNING:

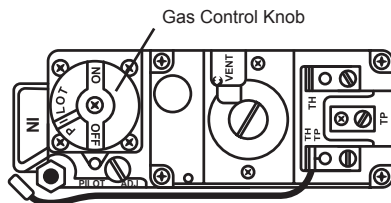
If you do not follow these instructions exactly, a fire or explosion may result causing property damage, personal injury or loss of life.

### FOR YOUR SAFETY READ BEFORE LIGHTING


- A.** This appliance has a pilot which must be lighted by hand. When lighting the pilot, follow these instructions exactly.
- B. BEFORE LIGHTING** smell all around the appliance area for gas. Be sure to smell next to the floor because some gas is heavier than air and will settle on the floor.
- WHAT TO DO IF YOU SMELL GAS:**
- **DO NOT** try to light any appliance.
  - **DO NOT** touch any electric switch.
  - **DO NOT** use any phone in your building.
  - Immediately call your gas supplier from a neighbor's phone. Follow the gas supplier's instructions.
- If you cannot reach your gas supplier, call the fire department.
- C.** Use only your hand to push in or turn the gas control knob. Never use tools. If the knob will not push in or turn by hand, don't try to repair it, call a qualified service technician. Force or attempted repair may result in a fire or explosion.
- D.** Do not use this appliance if any part has been under water. Immediately call a qualified service technician to inspect the appliance and to replace any part of the control system and any gas control which has been under water.

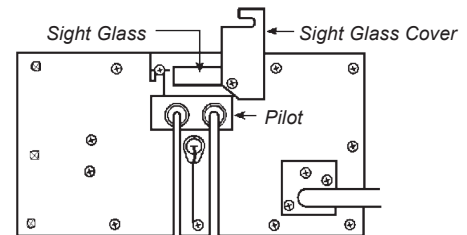
## LIGHTING INSTRUCTIONS


1. **STOP!** Read the information on the safety label.
2. Set thermostat to lowest setting.
3. Turn off all electric power to the appliance.
4. Remove cabinet.
5. Push in gas control knob slightly and turn clockwise  to "OFF".




**NOTE:**  
Knob cannot be turned from "PILOT" to "OFF" unless knob is pushed in slightly.  
Do not force.

6. Wait five (5) minutes to clear out any gas. Then smell for gas, including near the floor. **If you smell gas, STOP!** Follow "B" in the safety information on the safety label. If you don't smell gas, go to the next step.
7. Open sight glass cover.
8. Locate red piezo ignitor button inside gas control compartment. Locate pilot behind sight glass. (Follow metal pilot tube from gas control).
9. Turn gas control knob counterclockwise  to "PILOT".



10. Push in gas control knob and hold in. Immediately begin a series of pushing and releasing the red piezo ignitor button, while observing the pilot through the sight glass. Continue to spark until pilot is lit. Continue to hold the gas control knob in for about one (1) minute after the pilot is lit. Release the gas control knob and it will pop back up. Pilot should remain lit. If pilot goes out, repeat steps 4 thru 9.
  - If knob does not pop up when released, STOP and immediately call your service technician or gas supplier.
  - If the pilot will not stay lit after several tries, turn the gas control knob to "OFF" and call your service technician or gas supplier.
11. Close sight glass cover.
12. Turn gas control knob counterclockwise  to "ON"
13. Replace cabinet.
14. "Turn on all electric power to the appliance".
15. Set thermostat to desired setting.

## TURNING OFF GAS TO APPLIANCE

1. Set the thermostat to it's lowest setting.
2. Turn off all electric power to the appliance if service is to be performed.
3. Open cabinet door.
4. Push in gas control knob slightly and turn clockwise  to "OFF". Do not force.
5. Close cabinet door.

## MAINTENANCE



**WARNING:** This is a gas-fired appliance. Keep the area clear of gasoline and other flammable vapors and liquids. All combustible material must be kept clear of this area to avoid fire or explosion.

For proper and safe operation keep furnace and furnace area clean. At regular intervals turn control valve to off, let cool and clean inside control compartment and under heater. To clean front panel use only a damp cloth, do not use any kind of solvent or cleaning fluid that could leave a residue or invisible coating that would burn or give off fumes when furnace is turned on.

Have the furnace checked, cleaned, and repaired by a qualified service technician. Check venting system, pilot, and burner operation prior to use each year.

Follow a regular service and maintenance schedule for safe and efficient operation.

Do not obstruct combustion and ventilation air. Examine the venting system as a routine part of the safety performance check on an annual basis.



If the air intake tube or the exhaust tube is removed, follow Step 3 of the installation section for re-assembly. Be sure to check gaskets and replace if there is any sign of damage.

If the heat exchanger is removed, check the heat exchanger intake gasket and replace if there is any sign of damage. Be sure the gasket is in place when the heat exchanger is replaced.

Failure to replace any gasket that has been damaged may result in property damage, personal injury or loss of life.

### PILOT ADJUSTMENT

1. Locate pilot adjustment cap on valve and remove. **Fig. 9**
2. Pilot flame should surround the top 3/8 to 1/2 inch of powerpile or thermocouple. **See Figure 10.**

TO INCREASE THE PILOT FLAME	TO DECREASE THE PILOT FLAME
Turn the pilot adjustment screw (Fig. 9) counterclockwise. 	Turn the pilot adjustment screw (Fig. 9) clockwise. 

3. After a proper pilot flame is established replace pilot adjustment cap, be sure gasket located on bottom of cap head is in place.

*The gas supply to the pilot is unregulated. When line pressure exceeds 7" w.c. Natural Gas, 11" w.c. Propane Gas, pilot adjustment must be made.*

### CAUTION:



Label all wires prior to disconnection when servicing controls. Wiring errors can cause improper & dangerous operation. Verify proper operation after servicing.

FIG. 9

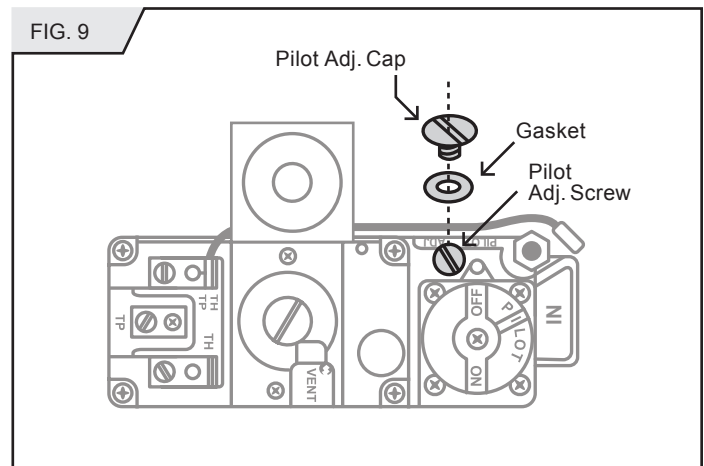
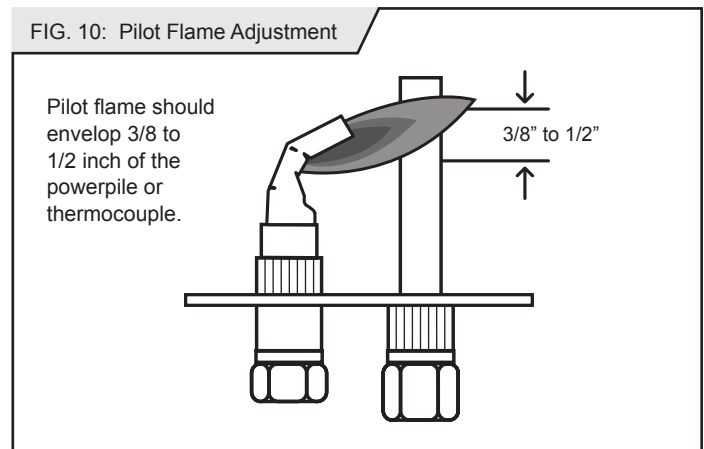


FIG. 10: Pilot Flame Adjustment



## MAINTENANCE

### BURNER ORIFICE

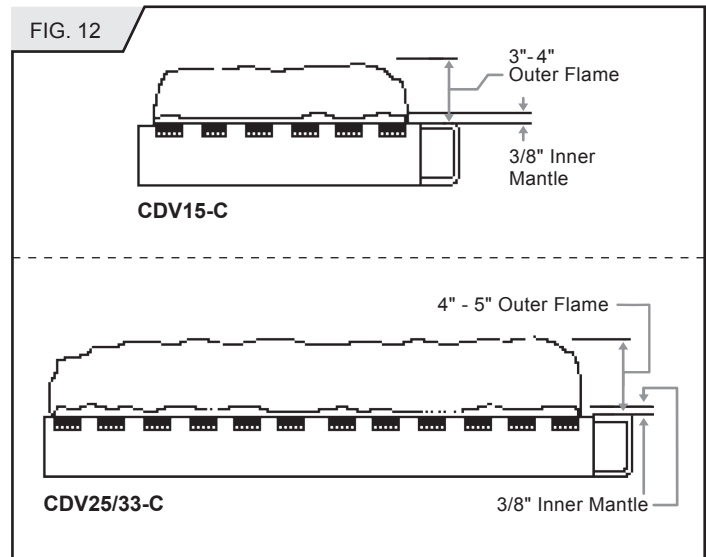
This appliance is orificed at the factory for elevations up to 2,000 ft. If installed above 2,000 ft., the BTU input must be reduced 4% per 1,000 ft. See the following orifice chart for the proper orifice for a specific elevation. Orifice change must be completed by a qualified installer or service technician.

**Fig 11: Specific Elevations**

Model No.	0 to 2,000'	2,000' - 4,000'	4,000' - 6,000'	6,000' - 8,000'	8,000' - 10,000'
<b>NATURAL GAS</b>					
CDV155C	48	49	50	51	52
CDV255C	2.45mm	41	42	43	44
CDV335C	2.75mm	37	38	40	42
<b>PROPANE GAS</b>					
CDV156C	1.2mm	56	57	59	60
CDV256C	1.55mm	54	54	55	55
CDV336C	1.65mm	51	52	52	53
<b>ORDER KIT #49800 44-1 High Altitude Kit</b>					

### PROPER BURNER FLAME

The burner flame may be observed by raising the sight glass cover. A proper flame will have a dark blue inner mantle that sits right on top of the burner with a lighter blue outer mantle rising over the burner, **see Figure 12**. There may be some yellow where the pilot flame and burner flame meet. There is no primary air adjustment on the burner, and proper flame is assured since the correct manifold pressure and orificing has been done at the factory.



### THERMOSTAT INSTALLATION

*Only for Models: CDV155C, CDV156C, CDV255C, CDV256C, CDV335C & CDV336C*

Follow the instructions included with the thermostat. If the thermostat is to be wall mounted, select a location in the same room as the heater, approximately five feet above the floor on an inside wall where it won't be affected by heat or cold sources such as direct sunlight, televisions, fireplaces, hidden hot or cold water pipes, drafts, etc.

The thermostat must not be placed in an adjacent room. The furnace is equipped with a self-generating control system; never connect to a 24-volt transformer or household electric system. Do not splice or attempt to use more thermostat wire than is supplied. Connect thermostat wires to thermostat and mount thermostat to wall, run wire to furnace, securing with insulated staples provided, and connect to valve terminals marked TH. **See Figure 10 on page 12.**

## MAINTENANCE

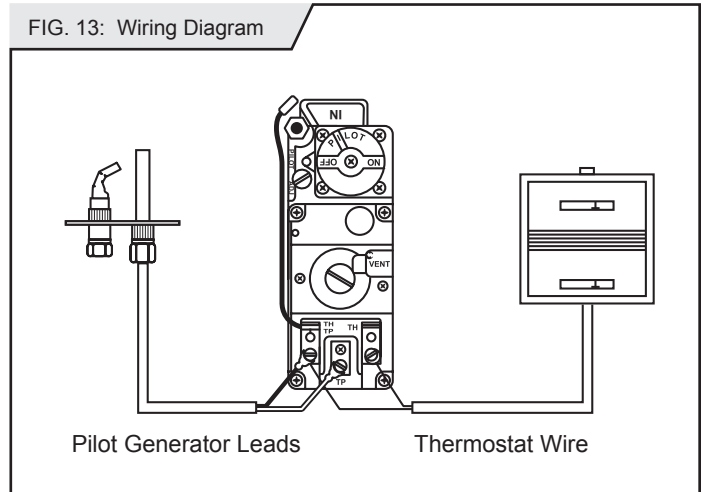
**⚠ CAUTION:** Label all wires prior to disconnection when servicing controls. Wiring errors can cause improper and dangerous operation. Verify proper operation after servicing.

*NOTE: The furnace and all components must be inspected at least annually by a qualified service technician. This should include the burner, heat exchanger, and vent system. Be sure that the flow of combustion and ventilation air are not obstructed.*

### TO REMOVE MAIN BURNER FOR INSPECTION AND CLEANING

1. Remove outer casing.
2. Disconnect gas supply to valve.
3. Remove 11 screws holding burner door to heat exchanger and lift out complete burner, valve assembly.
4. After inspecting burner, place back into heat exchanger. Be sure door gasket is not damaged & will effect a proper seal or pilot outage will occur.
5. Tighten screws holding burner door to heat exchanger.
6. Connect gas supply back to valve.
7. Install front panel and follow lighting instructions.

FIG. 13: Wiring Diagram



## SERVICE RECORDS

--	--



**TROUBLESHOOTING CHART ( FOR QUALIFIED SERVICE TECHNICIAN )**

<b>SYMPTOM</b>	<b>POSSIBLE CAUSES</b>	<b>CORRECTIVE ACTION</b>
<b>Flame Too Large</b>	<ol style="list-style-type: none"> <li>1. Defective operator section of valve.</li> <li>2. Burner orifice too large.</li> <li>3. If installed above 2,000 ft.</li> </ol>	<ol style="list-style-type: none"> <li>1. Replace valve.</li> <li>2. Check with local gas company for proper orifice size and replace.</li> <li>3. See burner orifice section, <b>Page 13</b>.</li> </ol>
<b>Yellow Burner Flame</b>	<ol style="list-style-type: none"> <li>1. Clogged burner ports.</li> <li>2. Obstruction around vent cap.</li> </ol>	<ol style="list-style-type: none"> <li>1. Remove main burner and check for obstructions in throat, ports, and orifices. Clean - but do not enlarge ports or orifices.</li> <li>2. Make sure area around vent cap is clear, be sure vent system is sealed.</li> </ol>
<b>Gas Odor</b>	<ol style="list-style-type: none"> <li>1. Gas leak.</li> </ol>	<ol style="list-style-type: none"> <li>1. See <b>Page 1</b>.</li> </ol>
<b>Delayed Ignition</b>	<ol style="list-style-type: none"> <li>1. Pilot flame too small.</li> <li>2. Burner ports clogged at pilot.</li> <li>3. Low gas pressure.</li> <li>4. Pilot decreases in size when main burners come on.</li> </ol>	<ol style="list-style-type: none"> <li>1. Adjust pilot flame.</li> <li>2. Clean burner ports (do not enlarge).</li> <li>3. Check gas supply pressure.</li> <li>4. Supply piping is too small. Consult local gas company or competent installer.</li> </ol>
<b>Failure to Ignite</b>	<ol style="list-style-type: none"> <li>1. Main gas off.</li> <li>2. Thermostat not set high enough to call for heat.</li> <li>3. Clogged burner orifice.</li> <li>4. Thermostat wired wrong or defective.</li> <li>5. Defective valve.</li> </ol>	<ol style="list-style-type: none"> <li>1. Open all manual gas valves.</li> <li>2. Set thermostat to higher temperature.</li> <li>3. Clean burner orifice, (do not enlarge).</li> <li>4. Check wiring, jump across thermostat terminals at valve, if valve opens - re-check wires, replace thermostat.</li> <li>5. Replace valve.</li> </ol>
<b>Burner Won't Turn Off</b>	<ol style="list-style-type: none"> <li>1. Defective or damaged thermostat wire, or thermostat.</li> <li>2. Thermostat location.</li> <li>3. Defective or sticking valve.</li> <li>4. Excessive gas pressure.</li> </ol>	<ol style="list-style-type: none"> <li>1. Can be checked by removing wire from valve terminal. If valve goes off, replace wire or thermostat.</li> <li>2. Follow instructions, check location.</li> <li>3. Clean or replace valve.</li> <li>4. Contact utility supplying gas.</li> </ol>
<b>Incorrect Gas Input</b>	<ol style="list-style-type: none"> <li>1. Gas input not checked.</li> <li>2. Clogged orifice.</li> </ol>	<ol style="list-style-type: none"> <li>1. Re-check gas input.</li> <li>2. Clean orifice with a smooth wood toothpick, do not enlarge.</li> </ol>
<b>Not Enough Heat</b>	<ol style="list-style-type: none"> <li>1. Furnace undersized.</li> <li>2. Thermostat set too low.</li> <li>3. Incorrect supply pressure.</li> </ol>	<ol style="list-style-type: none"> <li>1. This is especially true when a dwelling or room is enlarged. Have the heat loss calculated and compare to furnace output. Your gas company can supply you with this information. If furnace is undersized, replace with correct size unit.</li> <li>2. Raise temperature setting.</li> <li>3. Check supply pressure.</li> </ol>
<b>Too Much Heat</b>	<ol style="list-style-type: none"> <li>1. Thermostat set too high.</li> <li>2. Combination control valve stuck open.</li> </ol>	<ol style="list-style-type: none"> <li>1. Lower temperature setting.</li> <li>2. Replace combination control valve.</li> </ol>
<b>Pilot and Main Burner Go Out During Normal Operation</b>	<ol style="list-style-type: none"> <li>1. Weak powerpile or thermocouple.</li> <li>2. Input too high.</li> <li>3. Cover around pilot lighter hole not air tight.</li> <li>4. Vent tubes not properly installed or sealed.</li> <li>5. Incorrect vent tubes.</li> </ol>	<ol style="list-style-type: none"> <li>1. Check millivoltage and replace if low.</li> <li>2. Check input rate.</li> <li>3. Tighten wing nuts securing cover and sight glass. Check and replace gasket if needed.</li> <li>4. Follow instructions. Check both exhaust and air intake tubes, and vent cap. Be sure all gaskets are in place and properly sealed. Use only tubes and vent cap supplied. Do not alter vent tubes or cap.</li> <li>5. Replace with correct tubes.</li> </ol>

## DVB-3 BLOWER KIT INSTALLATION - ( OPTIONAL )

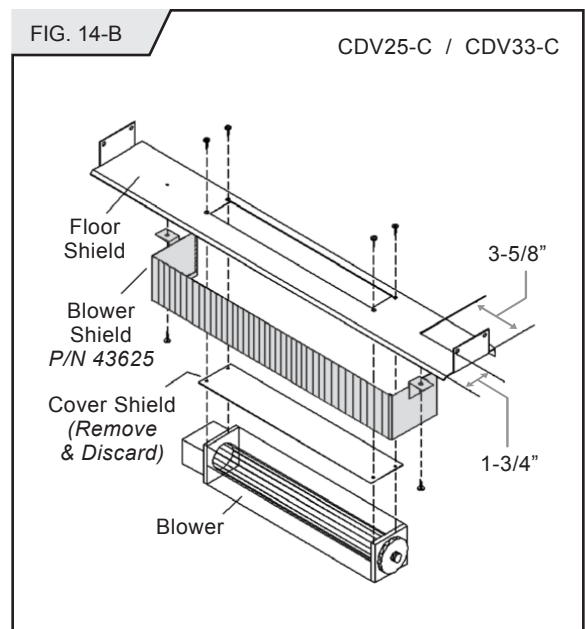
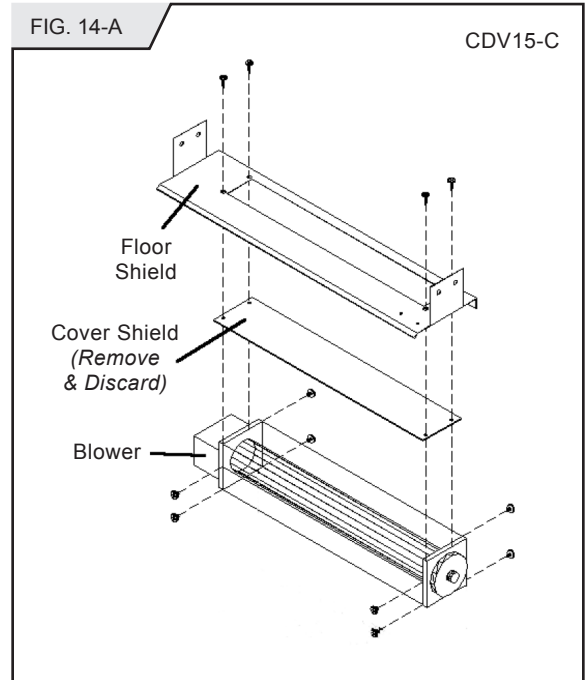
*This kit must be installed by a qualified installer or service technician only.  
Compatible with CDV15-C / CDV25-C / CDV33-C Series.*

**CAUTION:** Label all wires prior to disconnection when servicing controls. Wiring errors can cause improper and dangerous operation. Verify proper operation after servicing.

- STEP 1.** Remove outer casing.
- STEP 2.** Remove floor shield from bottom of heater and disconnect piezo wire.
- STEP 3.** Remove and discard cover shield. Save screws.
- STEP 4.** Attach blower to bottom of floor shield using screws saved in Step 3. *Note: Blower motor should be on the opposite end from piezo.*
- STEP 5.** For models CDV25/33-C, secure P/N 43625 blower shield to bottom of heat shield using two (2) #8x1/2" screws provided. See figures 14-A and 14-B.
- STEP 6.** Connect piezo wire and attach floor shield to heater. Slide the white cable clamp (provided) over both motor lead wires and the power cord. Secure to left side of heater with the front screw used to secure the floor shield.
- STEP 7.** Attach the junction box to left side of wrapper using four #8x1/2" screws provided.
- STEP 8.** Plug power cord into a 115 volt grounded outlet.
- STEP 9.** Replace outer casing and follow lighting instructions to place heater in operation.

**WARNING:** The unit must be electrically grounded according to the national electrical code ANSI/NFPA no. 70-1987. This appliance is equipped with a three-prong (grounding) plug for your protection against shock hazard and must be plugged directly into a properly grounded three-prong receptacle. Do not cut or remove the grounding prong from this plug.

*Note: This blower assembly is equipped with a temperature activated fan switch that will automatically cycle the blower on when the heat exchanger has reached a predetermined temperature. Once the burner shuts off, this switch will cycle the blower off after the heat exchanger cools to the fan switch differential setting. This blower will not operate unless the main burner is in use.*



### DVB-3 BLOWER KIT INSTALLATION - ( OPTIONAL )

*This kit must be installed by a qualified installer or service technician only.  
Compatible with CDV15-C / CDV25-C / CDV33-C Series.*

PART DESCRIPTION	PART NO.
<b>BLOWER HOUSING w/ Motor &amp; Blower</b>	70201
<b>JUNCTION</b>	43610
<b>JUNCTION BOX COVER</b>	43620
<b>FAN SWITCH 120 Degree</b>	70110
<b>CORD SET</b>	80202
<b>COVER SHIELD</b>	43078
<b>BLOWER SHIELD CDV25/33-C</b>	43625

*If any of the original wire supplied with this appliance has to be replaced, it must be replaced with type 105 degree C wire or its equivalent.*

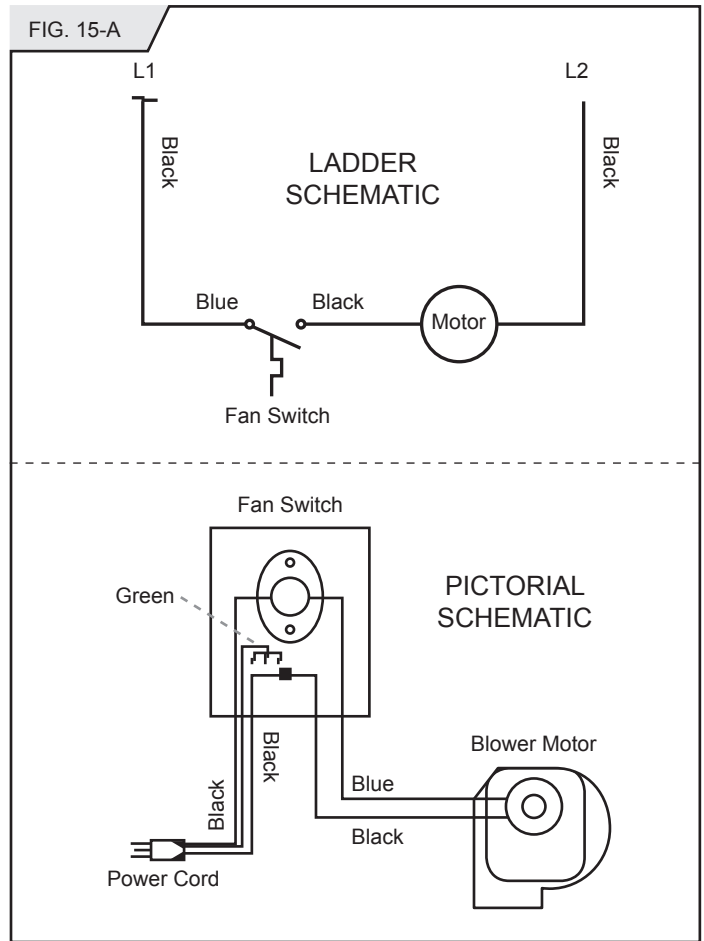
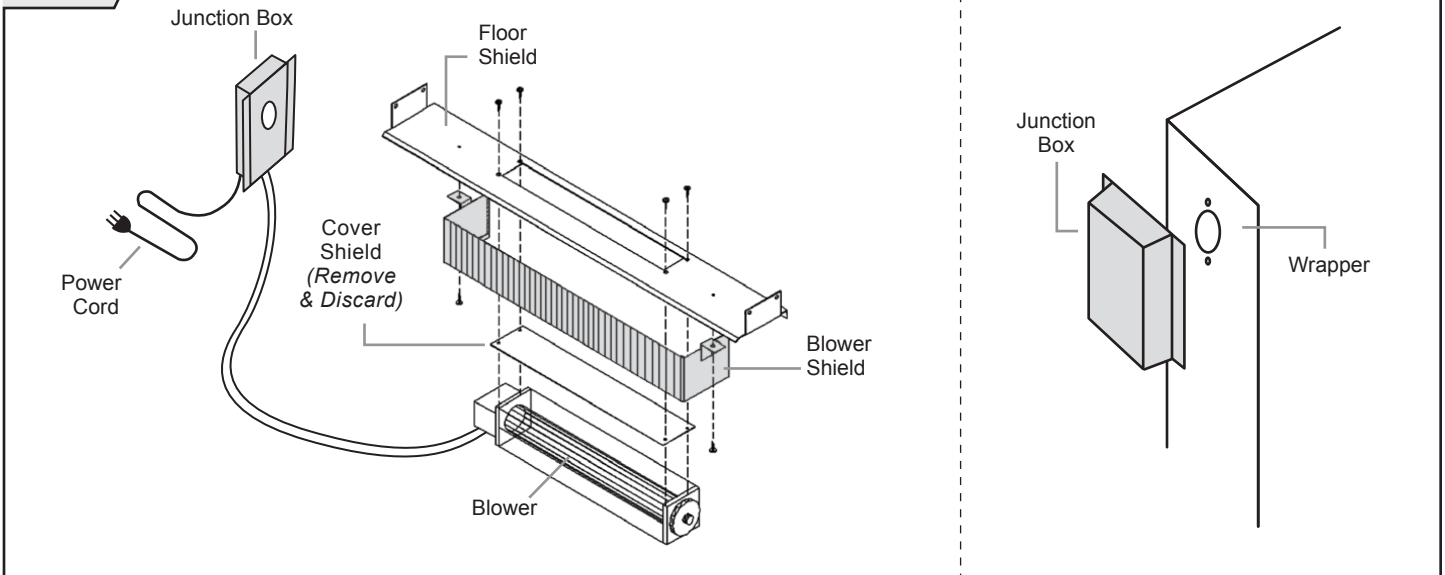


Fig. 15-B

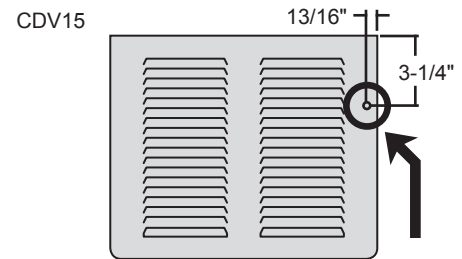


## BBSK INSTALLATION INSTRUCTIONS - ( OPTIONAL )

*This kit must be installed by a qualified installer or service technician only.*

- STEP 1.** Find the drilling location at the rear of the cabinet, near the top. **See Figure 16-A.**
- STEP 2.** Drill a 1/2" hole.
- STEP 3.** Straighten the capillary tube. **See Figure 16-B.**  
**DO NOT KINK THE CAPILLARY TUBE OR THE SENSING BULB.**
- STEP 4.** From top of heater, install sensing bulb down and under the gas control valve so that the capillary tube is between the back of the heater and the wall. Slide white cable clamp (provided) onto sensing bulb and secure to the bottom of the gas valve using the 10-24 x 3/8" screw provided.
- STEP 5.** Secure P/N 1016899 CDV switch bracket to the BBSK control switch (see Figure 16-B) using two (2) #6 x 1/4" screws provided. Secure the control switch and bracket to the right side of the inner wrapper using prepunched holes and two #8 x 1/2" screws provided. **See Figure 16-C.** *Note: Switch and bracket must be installed to be outside the wrapper.*
- STEP 6.** Run the two control wires from the switch down the right outside of wrapper. Connect one wire to the "TH" terminal and one to the "TH-TP" terminal on the gas valve. **See Figure 16-D.** Slide a white cable clamp (provided) over both wires and secure to wrapper using screw that secures the floor shield.
- STEP 7.** If heater is not installed to wall, follow instructions to do so.
- STEP 8.** Remove and discard the lighting instructions supplied with heater. Replace with lighting instruction supplied in BBSK kit.
- STEP 9.** Place cabinet onto heater, the control rod should extend up through the 1/2" hole in top of cabinet.
- STEP 10.** Place the control knob onto the control rod and secure by pushing down.
- STEP 11.** Follow the lighting instructions to place the heater in operation.

FIG. 16-A



CDV25/33

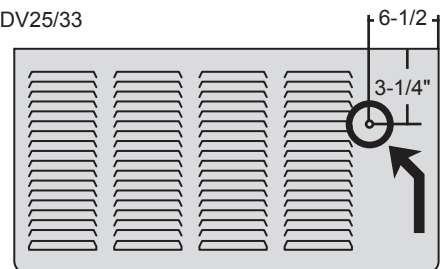


FIG. 16-B

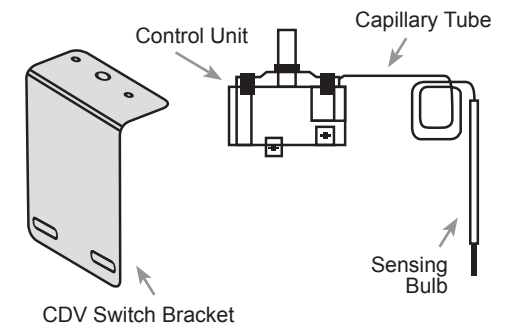


FIG. 16-C

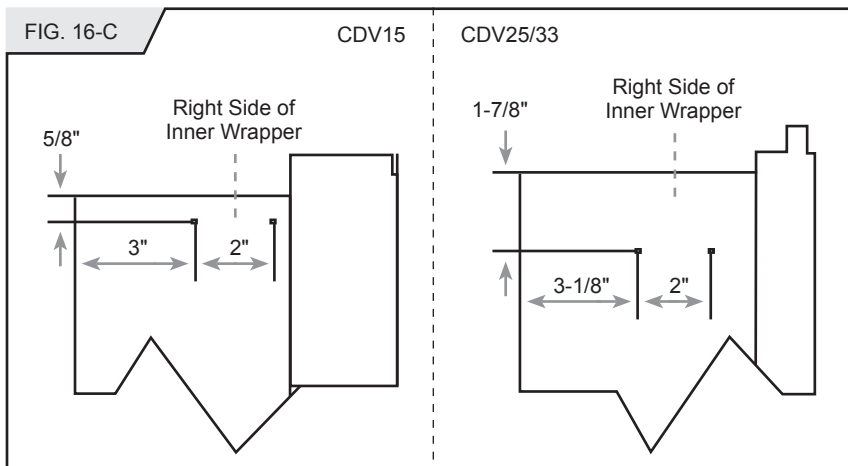
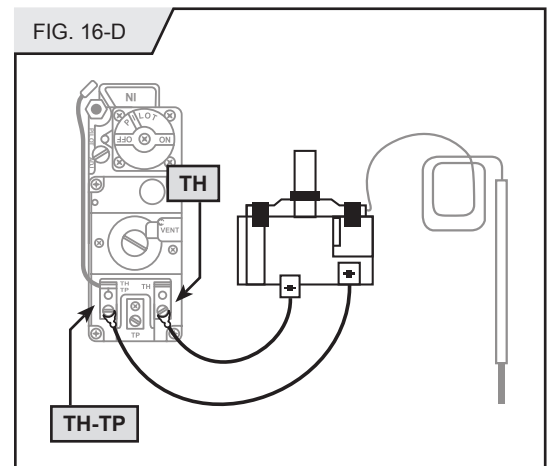


FIG. 16-D



## BBSK-CDV LIGHTING INSTRUCTIONS - ( OPTIONAL )

### FOR YOUR SAFETY READ BEFORE LIGHTING

#### WARNING:

If you do not follow these instructions exactly, a fire or explosion may result causing property damage, personal injury or loss of life.


- A. This appliance has a pilot which must be lighted by hand. When lighting the pilot, follow these instructions exactly.
- B. **BEFORE LIGHTING** smell all around the appliance area for gas. Be sure to smell next to the floor because some gas is heavier than air and will settle on the floor.

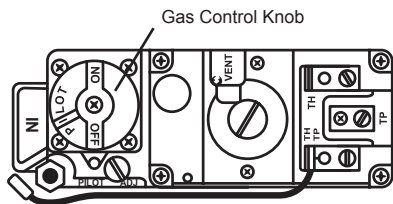
#### WHAT TO DO IF YOU SMELL GAS:

- **DO NOT** try to light any appliance.
- **DO NOT** touch any electric switch.
- **DO NOT** use any phone in your building.
- Immediately call your gas supplier from a neighbor's phone. Follow the gas supplier's instructions.

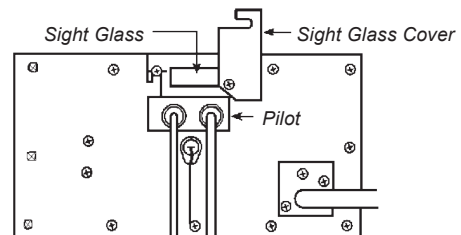
- If you cannot reach your gas supplier, call the fire department.
- C. Use only your hand to push in or turn the gas control knob. Never use tools. If the knob will not push in or turn by hand, don't try to repair it, call a qualified service technician. Force or attempted repair may result in a fire or explosion.
- D. Do not use this appliance if any part has been under water. Immediately call a qualified service technician to inspect the appliance and to replace any part of the control system and any gas control which has been under water.


## LIGHTING INSTRUCTIONS

1. **STOP!** Read the information on the safety label.
2. Set temperature control knob located on top of cabinet to lowest setting.
3. Remove temperature control knob by pulling straight up.
4. Remove cabinet.
5. Push in gas control knob slightly & turn clockwise  to "OFF".




**NOTE:**  
Knob can not be turned from "PILOT" to "OFF" unless knob is pushed in slightly.  
Do not force.




6. Wait five (5) minutes to clear out any gas. Then smell for gas, including near the floor. **If you smell gas, STOP!** Follow "B" in the safety information on the safety label. If you don't smell gas, go to the next step.
7. Open sight glass cover.
8. Locate red piezo ignitor button inside gas control compartment. Locate pilot behind sight glass. (Follow metal pilot tube from gas control).
9. Turn gas control knob counterclockwise  to "PILOT".

10. Push in gas control knob and hold in. Immediately begin a series of pushing and releasing the red piezo ignitor button, while observing the pilot through the sight glass. Continue to spark until pilot is lit. Continue to hold the gas control knob in for about one (1) minute after the pilot is lit. Release the gas control knob and it will pop back up. Pilot should remain lit. If pilot goes out, repeat steps 4 thru 9.

- If knob does not pop up when released, STOP and immediately call your service technician or gas supplier.
- If the pilot will not stay lit after several tries, turn the gas control knob to "OFF" and call your service technician or gas supplier.

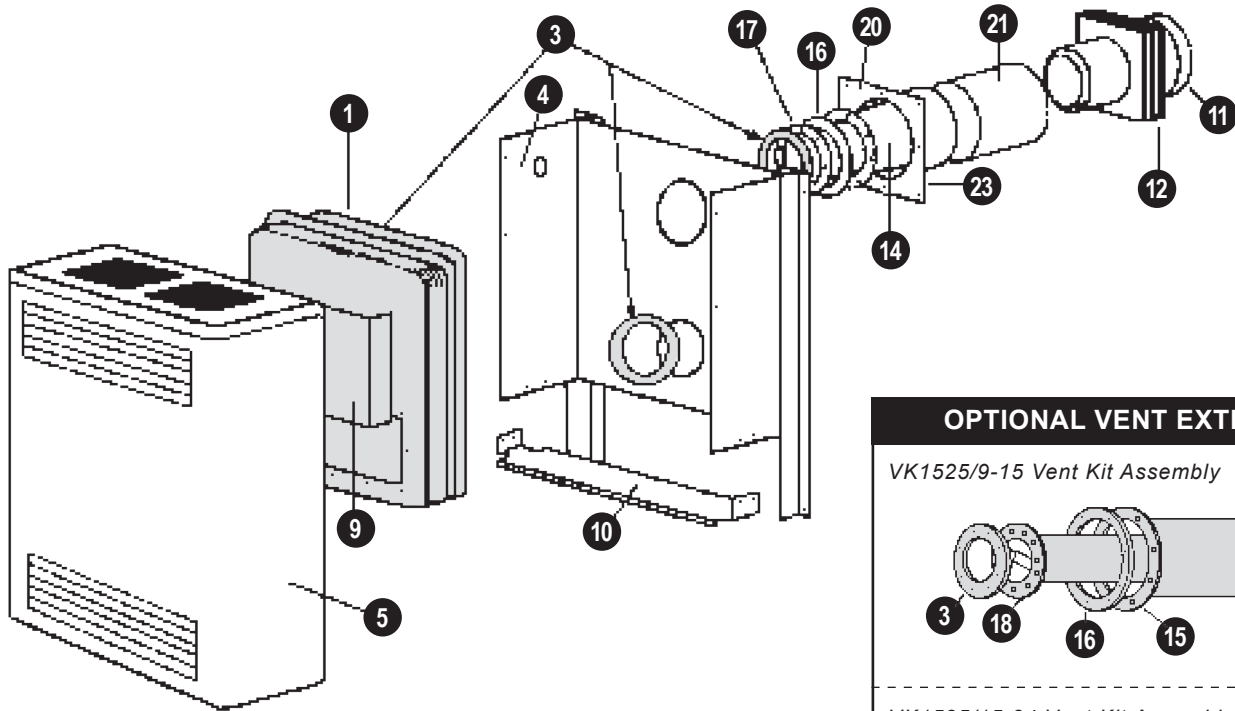
11. Close sight glass cover.
12. Turn gas control knob counterclockwise  to "ON"
13. Replace cabinet.
14. Replace temperature control knob.
15. Set temperature control knob to desired setting.

## TURNING OFF GAS TO APPLIANCE

1. Set the temperature control knob to it's lowest setting.
2. Remove temperature control knob.
3. Remove cabinet.
4. Push in gas control knob slightly and turn clockwise  to "OFF". Do not force.
5. Replace cabinet.
6. Replace temperature control knob.

**DIRECT VENT WALL FURNACE PARTS LIST**

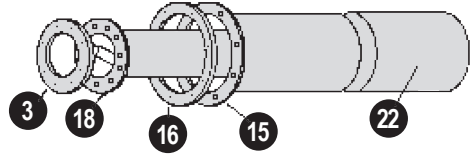
Natural Gas: CDV155C | Propane Gas: CDV156C



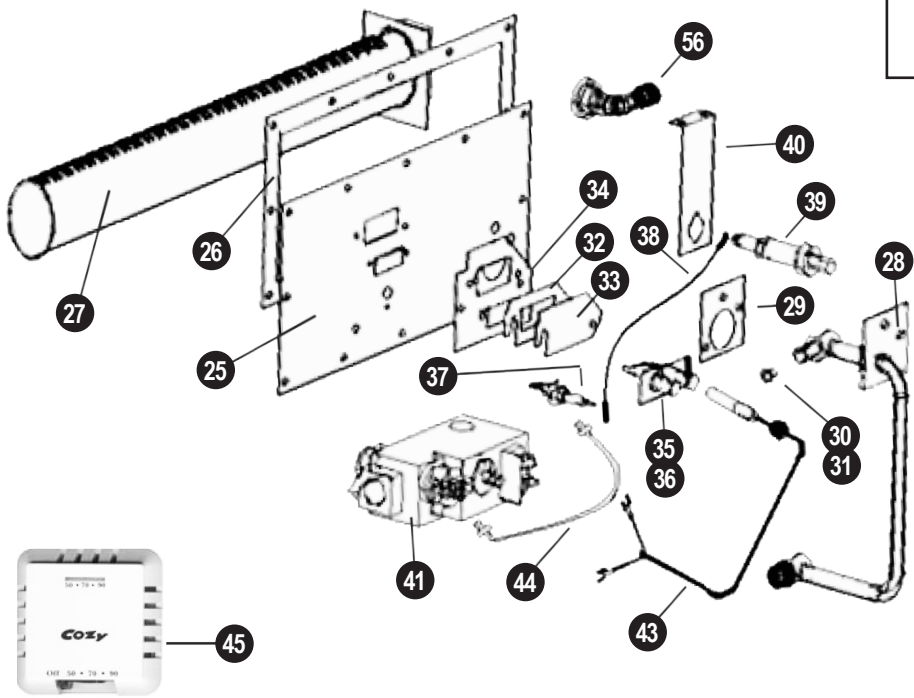
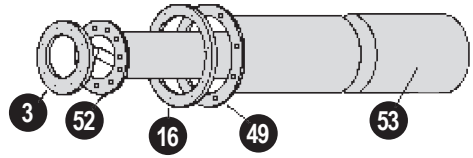
14 = 6-3/4" Dia.  
17 = 4-3/16" Dia.

**OPTIONAL VENT EXTENSIONS**

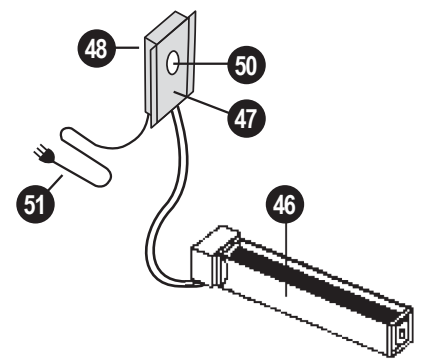
VK1525/9-15 Vent Kit Assembly



VK1525/15-24 Vent Kit Assembly



**OPTIONAL BLOWER ASSEMBLY / DVB-3**



DVB3 Blower Kit also includes:  
43078 Cover Plate  
43625 Blower Shield for CDV25/33

NOTE: Parts & schematic drawings on current models are shown at: [cozyheaters.com](http://cozyheaters.com) | Specifications subject to change without notice.



## DIRECT VENT WALL FURNACE PARTS LIST

*Natural Gas: CDV155C | Propane Gas: CDV156C*

**ATTN: Contractors and Qualified Service Technicians:** We only sell parts through our wholesalers. For prompt parts service, contact the wholesaler from which you purchased your Cozy heater.

REF. #	PART DESCRIPTION	PART NO.
1	Heat Exchanger	42565
3	Vent Exhaust Tube Gasket, 5-3/8" Circle	70062
4	Wrapper Assembly w/ Comb. Air Pan	43051
5	Cabinet	42555
9	Front Heat Shield	43081
10	Bottom Heat Shield	43075
11/12	Vent Cap & Spacer Plate	43145
14	Air Intake Tube Assembly (5" - 9" Wall)	43200
15	Air Intake Tube Assembly (9" - 15" Wall)	43810
49	Air Intake Tube Assembly (15" - 24" Wall)	43705
16	Air Intake Tube Gasket, 8-1/2" Circle	70061
17	Vent Exhaust, Tube Assembly (5" - 9" Wall)	43206
18	Vent Exhaust, Tube Assembly (9" - 15" Wall)	43820
52	Vent Exhaust, Tube Assembly (15" - 24" Wall)	43717
20	Wall Thimble, Assembly (5 - 9" Wall)	43230
21	Wall Thimble, Extension (5" - 9" Wall)	43236
22	Wall Thimble, Extension (9" - 15" Wall)	43835
53	Wall Thimble, Extension (15" - 24" Wall)	43730
23	Wall Thimble, Gasket: 11" x 11"	70066
25	Burner Access Door	43247
26	Burner Access Door Gasket: 11-3/8" x 5-1/2"	70060
27	Main Burner	70005
28	Manifold	70031
29	Manifold Gasket: 2" x 2"	70065
30	Main Burner Orifice: Natural Gas	70040
31	Main Burner Orifice: Propane Gas	70041
32	Sight Glass Assembly (Glass, Cover & Gasket Included)	43252
33	Sight Glass Cover	43258
34	Gasket, Sight Glass/Pilot Burner: 3-1/2" x 2-3/4"	70064
35	Pilot Burner Q350A2493: Natural Gas	70007

REF. #	PART DESCRIPTION	PART NO.
36	Pilot Burner Q350A2501 - Propane Gas	70008
37	Electrode	70052
38	Electrode Wire	70051
39	Piezo Sparker	80016
40	Piezo Sparker Bracket	43263
41	Valve, MV - Natural Gas For CDV155	84085
41	Valve, MV - Propane Gas for CDV156	84086
43	Generator, Q313A1014 - For CDV155 / CDV156	70098
44	Pilot Tubing With Fittings	70012
45	Thermostat, MV	74592
N/A	Thermostat Wire	74518
N/A	Insulated Staples	74209
N/A	Air Pan Assembly W/Gasket For Cdv15	43059
56	90 Degree Elbow	70352
N/A	Vent Terminal Shield	34950
46	Blower Housing with Motor & Blower	70201
47	Junction Box	43610
48	Junction Box Cover	43620
50	Fan Switch 120 Degrees	70110
51	Cord Set	80202
N/A	Cover Plate	43078

### HOW TO PROPERLY ORDER PARTS:

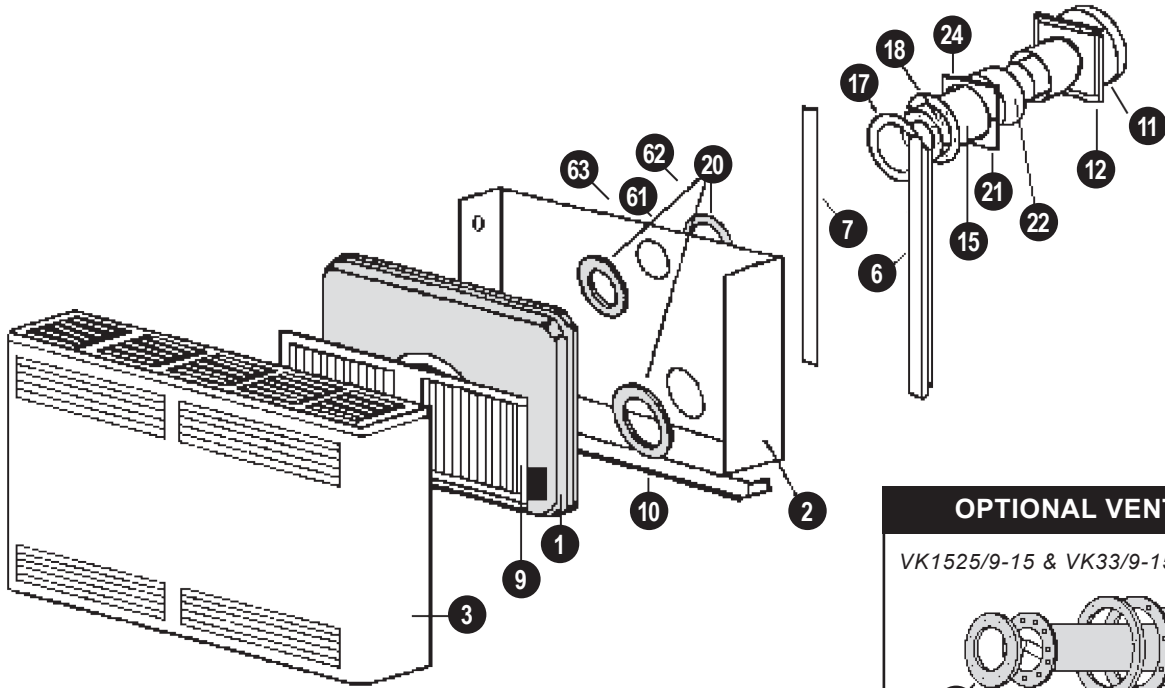
In addition to the part description and numbers, please be prepared to provide:

- Model Number
- Serial Number
- Type of Gas Used

*This information can be found on the rating plate that is attached to the heater.*

**DIRECT VENT WALL FURNACE PARTS LIST**

Natural Gas: CDV255C & CDV335C | Propane Gas: CDV256C & CDV336C

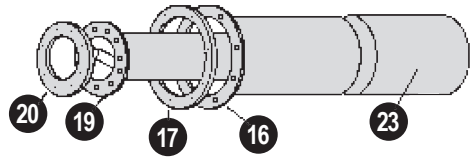


15 = 6-3/4" Dia.  
18 = 4-3/16" Dia.

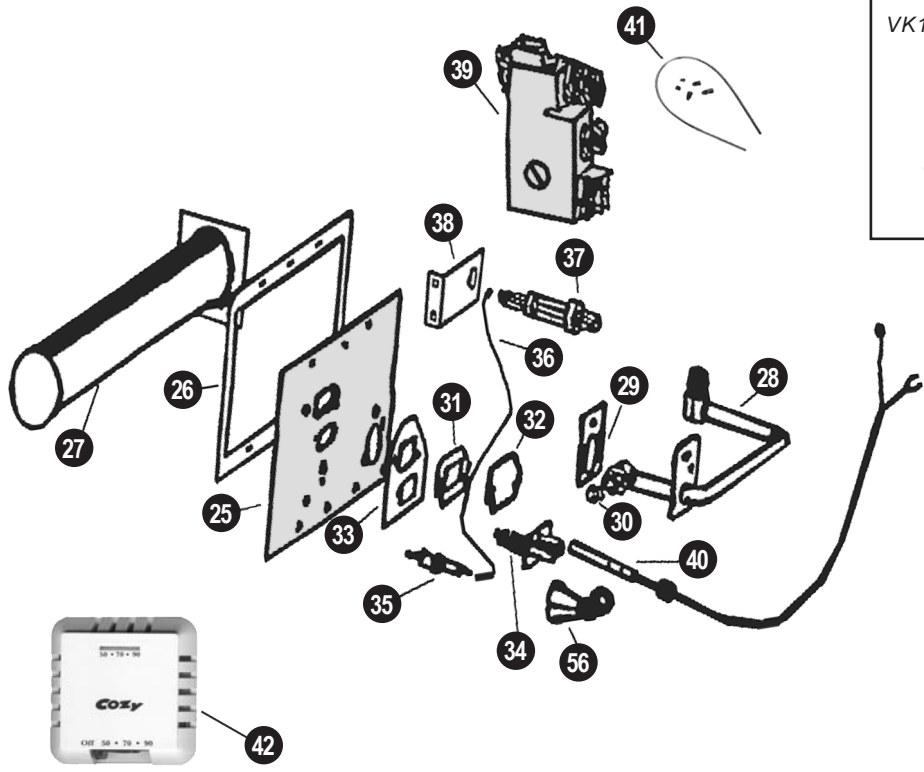
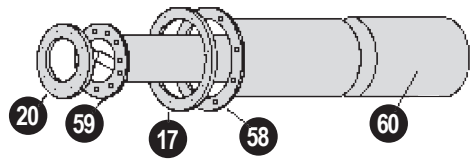
Ref No.  
61, 62 & 63  
Not Illustrated.

**OPTIONAL VENT EXTENSIONS**

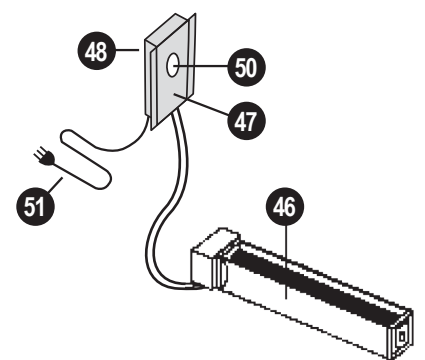
VK1525/9-15 & VK33/9-15 Vent Kit Assembly



VK15/25/15-24 Vent Kit Assembly



**OPTIONAL BLOWER ASSEMBLY / DVB-3**



DVB3 Blower Kit also includes:  
43078 Cover Plate  
43625 Blower Shield for CDV25/33

NOTE: Parts & schematic drawings on current models are shown at: [cozyheaters.com](http://cozyheaters.com) | Specifications subject to change without notice.

**DIRECT VENT WALL FURNACE PARTS LIST**

*Natural Gas: CDV255C & CDV335C | Propane Gas: CDV256C & CDV336C*

**ATTN: Contractors and Qualified Service Technicians:** We only sell parts through our wholesalers. For prompt parts service, contact the wholesaler from which you purchased your Cozy heater.

Natural Gas Model Numbers ..... **CDV255C**    **CDV335C**  
 Propane Gas Model Numbers ..... **CDV256C**    **CDV336C**

Natural Gas Model Numbers ..... **CDV255C**    **CDV335C**  
 Propane Gas Model Numbers ..... **CDV256C**    **CDV336C**

REF. #	PART DESCRIPTION	PART NO.	PART NO.
1	<b>Heat Exchanger Kit, Includes:</b>	*42770	*42770
-	Wrapper (Ref. #2)		
-	Right And Left Leg (Ref. #s 6 & 7)		
-	Comb. Air Pan Assembly W/Gaskets (Ref. #63)		
3	<b>Cabinet</b>	42755	42755
6	<b>Leg, Right</b>	43495	43495
7	<b>Leg, Left</b>	43494	43494
9	<b>Front Heat Shield Assembly</b>	43481	43481
10	<b>Bottom Heat Shield Assembly</b>	43473	43473
11/12	<b>Vent Cap W/ Spacer Plate</b>	43145	43145
15	<b>Air Intake Tube Assy. 5" – 9" Wall</b>	43200	43200
16	<b>Air Intake Tube Assy. 9" – 15" Wall</b>	43810	43810
58	<b>Air Intake Tube Assy. 15" – 24" Wall</b>	43705	N/A
17	<b>Air Intake Tube Gasket 8-1/2" Circle</b>	70061	70061
18	<b>Vent Exhaust Tube Assy. (5" – 9" Wall)</b>	43530	43538
19	<b>Vent Exhaust Tube Assy. (9" – 5" Wall)</b>	43820	43828
59	<b>Vent Exhaust Tube Assy. (15" – 24" Wall)</b>	43717	N/A
20	<b>Vent Exhaust Tube Gasket: Requires 4 5-3/8" Circle</b>	70062	70062
21	<b>Wall Thimble: (5" – 9" Wall)</b>	43552	43552
22	<b>Wall Thimble Ext. (5" – 9" Wall)</b>	43236	43236
23	<b>Wall Thimble Ext. (9" – 15" Wall)</b>	43835	43835
60	<b>Wall Thimble Ext. (15" – 24" Wall)</b>	43730	N/A
24	<b>Wall Thimble Gasket - 11" x 11"</b>	70066	70066
25	<b>Burner Access Door</b>	43247	43247
26	<b>Burner Access Door Gasket 5-1/2" x 11-3/8"</b>	70060	70060
27	<b>Burner</b>	70006	70006
28	<b>Manifold</b>	70032	70032
29	<b>Manifold Gasket - 2" x 2"</b>	70065	70065
30	<b>Main Burner Orifice (Nat. Gas)</b>	70048	70047
30	<b>Main Burner Orifice - Propane Gas</b>	70039	70049
31	<b>Sight Glass</b>	43252	43252
32	<b>Sight Glass Cover</b>	43258	43258
33	<b>Gasket, Sight Glass/Pilot Burner 3-1/2" x 2-3/4"</b>	70064	70064
34	<b>Pilot Burner Q350A2493 - Nat. Gas</b>	70007	70007

REF. #	PART DESCRIPTION	PART NO.	PART NO.
34	<b>Pilot Burner Q350A2501 - Propane Gas</b>	70008	70008
35	<b>Electrode</b>	70052	70052
36	<b>Electrode Wire</b>	70051	70051
37	<b>Piezo Sparker</b>	80016	80016
38	<b>Piezo Sparker Bracket</b>	43263	43263
39	<b>Valve, MV - Natural Gas</b>	84085	84085
39	<b>Valve, MV - Propane Gas</b>	84086	84086
40	<b>Pilot Generator, Q313A1014 MV</b>	70098	70098
41	<b>Pilot Tubing w/ Fittings</b>	70012	70012
42	<b>Thermostat, MV</b>	74592	74592
N/A	<b>Thermostat Wire</b>	74518	74518
N/A	<b>Insulated Staples</b>	74209	74209
61	<b>Gasket, Air Pan Top &amp; Bottom (15-1/4 x 1)</b>	°°70074	°°70074
62	<b>Gasket, Air Pan Sides (25 x 1)</b>	°°70073	°°70073
56	<b>90 Degree Elbow</b>	70352	70352
N/A	<b>Vent Terminal Shield</b>	34950	34950
46	<b>Blower Housing w/ Motor &amp; Blower</b>	70201	70201
47	<b>Junction Box</b>	43610	43610
48	<b>Junction Box Cover</b>	43620	43620
50	<b>Fan Switch 120 Degree</b>	70110	70110
51	<b>Cord Set</b>	80202	80202
N/A	<b>Cover Plate</b>	43078	43078
N/A	<b>Blower Shield</b>	43625	43625
N/A	<b>Left Air Intake Baffle</b>	43528	43528
N/A	<b>Right Air Intake Baffle</b>	43526	43526

**HOW TO PROPERLY ORDER PARTS:**

In addition to the part description and numbers, please be prepared to provide:

- Model Number
- Serial Number
- Type of Gas Used

*This information can be found on the rating plate that is attached to the heater.*

\*Kit contents are not sold independently. °°Requires 2

NOTE: Parts & schematic drawings on current models are shown at: [cozyheaters.com](http://cozyheaters.com) | *Specifications subject to change without notice.*

# LIMITED WARRANTY

Cozy Heating Systems LLC warrants to the original user the accompanying product for the period specified herein, provided said product is installed, operated, maintained, serviced, and used according to the instructions and specifications accompanying the product. **AS OUTLINED IN OUR INSTRUCTIONS, ANY WARRANTY CONSIDERATIONS ARE CONTINGENT ON INSTALLATION BY A QUALIFIED INSTALLER (CONTRACTOR). SELF-INSTALLATION IS PROHIBITED AND WILL INVALIDATE YOUR WARRANTY.**

If within a period of one year from the date of installation of the product, any part supplied by the manufacturer proves to be defective due to workmanship or material, it will replace such part, provided parts have not been subjected to misuse, alteration, neglect, or accidents. The term of the warranty for the heat exchanger and burners is covered in Table A below. Any claim not made within ten (10) days after the expiration of the warranty period shall be deemed waived by the user.

The manufacturer shall have no liability or be required to perform any obligation under this warranty unless, when requested, the user returns, at the user's expense, the component or product claimed defective, to the manufacturer for inspection, to enable the manufacturer to determine if the claimed defect is covered by this warranty.

No charges for freight, labor or other expenses incurred in the repair, removal, or replacement of any product or component claimed to be defective, will be paid by the manufacturer to the user, and the manufacturer will not be liable for any expenses incurred, by the user, in remedying any defect in the product.

Service under this warranty is the responsibility of the installer. In the event service under this warranty is needed, the user of the product shall request such service directly from the installer. If the user is unable to locate the

installer, the user should write directly to the manufacturer, and the name of an alternative service source will be supplied.

The product safety registration card (packed inside the appliance) must be completed and returned to the factory.

THIS WARRANTY IS EXPRESSLY IN LIEU OF ANY OTHER WARRANTIES, EXPRESS OR IMPLIED (WHETHER WRITTEN OR ORAL). ANY IMPLIED WARRANTY OF MERCHANTABILITY OR OF FITNESS FOR A PARTICULAR PURPOSE IS EXPRESSLY LIMITED TO THE DURATION OF THE MANUFACTURER'S EXPRESS, WRITTEN WARRANTY.

UNDER NO CIRCUMSTANCES SHALL THE MANUFACTURER BE LIABLE FOR ANY SPECIAL, INDIRECT OR CONSEQUENTIAL DAMAGES OR EXPENSES ARISING DIRECTLY OR INDIRECTLY FROM ANY COMPONENT OR FROM THE USE THEREOF. THE REMEDIES SET FORTH HEREIN SHALL BE THE EXCLUSIVE REMEDIES AVAILABLE TO THE USER AND ARE IN LIEU OF ALL OTHER REMEDIES.

SOME STATES DO NOT ALLOW LIMITATIONS ON HOW LONG AN IMPLIED WARRANTY LASTS, SO THE ABOVE LIMITATIONS MAY NOT APPLY TO YOU.

SOME STATES DO NOT ALLOW THE EXCLUSION OR LIMITATION OF INCIDENTAL OR CONSEQUENTIAL DAMAGES, SO THE ABOVE LIMITATIONS OR EXCLUSIONS MAY NOT APPLY TO YOU.

THIS WARRANTY GIVES YOU SPECIFIC LEGAL RIGHTS, AND YOU MAY ALSO HAVE OTHER RIGHTS, WHICH VARY, FROM STATE TO STATE.

**TABLE - A**

**WARRANTY PERIOD**

PRODUCT	TUBES / HEAT EXCHANGER	BURNERS
Cozy Gas Fired Floor Furnace	10 Years	10 Years
Cozy Gas Fired Wall Furnace	10 Years	10 Years
Cozy Gas Fired Vented Console Heater	10 Years	10 Years
Cozy Gas Fired Direct Vent Heater	10 Years	10 Years
Cozy Gas Fired Counterflow Furnace	10 Years	10 Years
Cozy Gas Fired Counterflow Direct Vent Furnace	10 Years	10 Years
Cozy Gas Fired Hi-Efficient Direct Vent Wall Furnace	10 Years	10 Years
Cozy Fan-Type, Direct Vent Through-The-Wall Gas Heater	10 Years	10 Years

**COZY HEATING SYSTEMS, LLC**  
3230 INDUSTRIAL PARKWAY. – JEFFERSONVILLE, IN 47130