

## 7. Accessories

### CU 200 SQFlex control unit

Product	Product number
CU 200 SQFlex	96625360

The CU 200 is a combined status, control and communication unit especially developed for the SQFlex system. The CU 200 also enables connection of a level switch.

The CU 200 incorporates cable entries for

- power supply connection (pos. 6)
- pump connection (pos. 7)
- earth connection (pos. 8)
- level switch connection (pos. 9).

(The position numbers in brackets refer to fig. 24.)

Communication between the CU 200 and the pump takes place via the pump power supply cable. This is called mains borne signalling (or Power Line Communication), and this principle means that no extra cables between the CU 200 and the pump are required.

It is possible to start, stop and reset the pump with the on/off button (pos. 1). The CU 200 offers

- system monitoring
- alarm indication.

The following indications allow the operation of the pump to be monitored:

- water reservoir is full (level switch) (pos. 2)
- pump is running (pos. 3)
- input power (pos. 11).

The CU 200 offers the following alarm indications:

- Dry running (pos. 10)
- Service needed (pos. 5) in case of
  - no contact to pump
  - overvoltage
  - overtemperature
  - overload.

In addition, the CU 200 shows the symbols of the energy supply options (pos. 4).

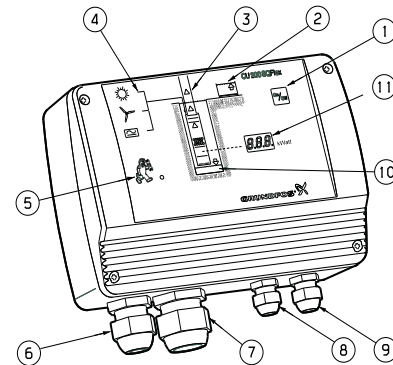


Fig. 24 CU 200 elements

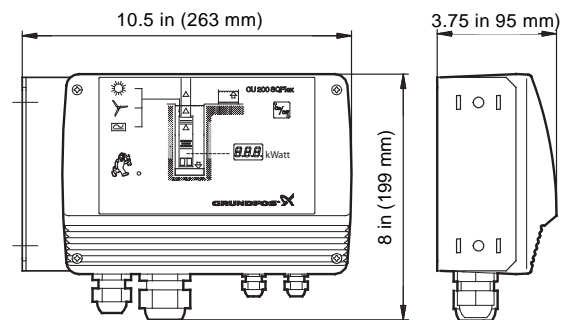


Fig. 25 CU 200, dimensional sketch

TM02 2325 1206

TM02 2323 1206

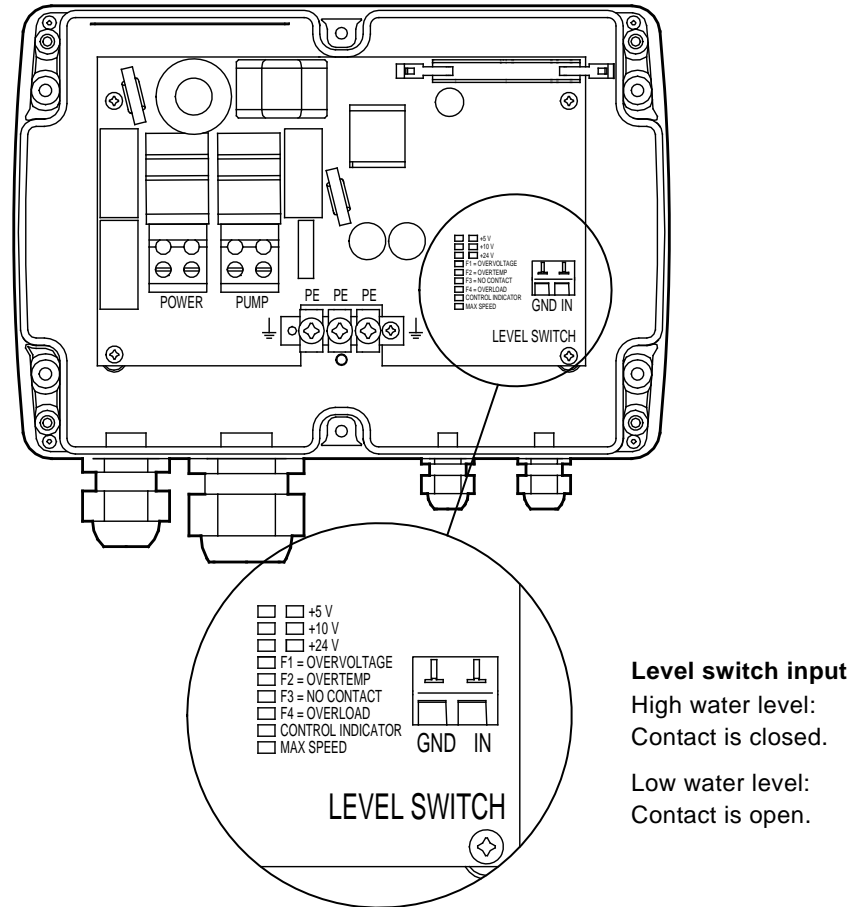


Fig. 26 Electrical connections, CU 200

TM02 2515 4401