



Mopeka TD-40 Installation Instructions

Startup:

Remove screw and open lid.

Install 2 AA batteries (Energizer Ultimate Lithium Only).

Cellular:

Sensor will beep 2x when batteries are inserted. Wait for 3 beeps, to indicate successful cellular/cloud connection. First start up may take longer to achieve 3 beeps because of initial cellular provisioning.

Note: Any time button is pressed, data will also be uploaded to the cloud. For example, after pressing the button to sync the sensor to the app, you will hear 3 beeps after data is uploaded to the cloud.

BLE & Cellular:

Now open Mopeka app.

Press button for 2 seconds to sync sensor to app. (see picture)

After successful sync, you may close lid and install sensor.

In the app, enter tank heights as instructed in the app.

Installation:

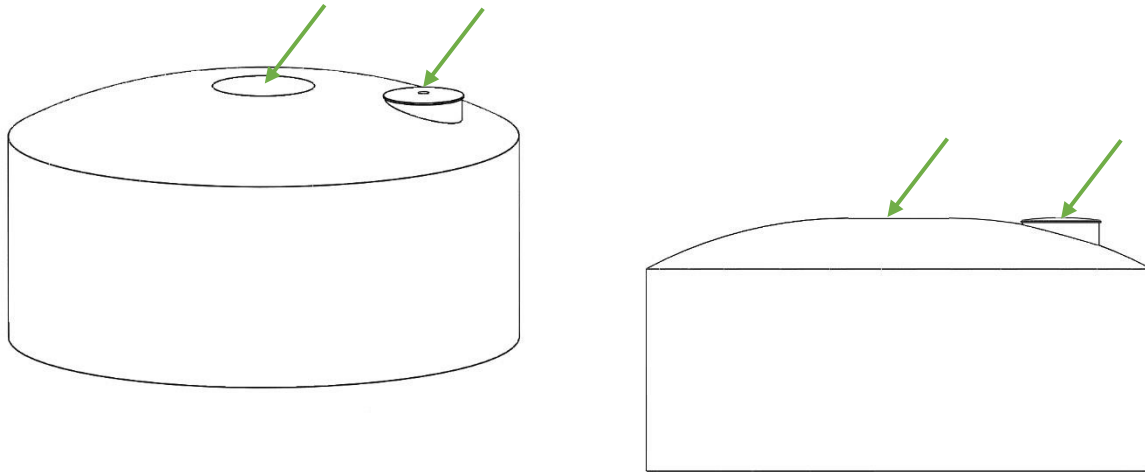
Sensor should be installed on top of tank on a flat surface for best performance. See pictures below. Note that if installing on a domed/curved surface, please use the Domed Surface Install Kit to ensure sensor is installed level.

If using NPT threads on the sensor, drill hole and tap for 2" NPT. Hole must be perpendicular to liquid surface. Install sealant and thread sensor into hole. The sealant will seal the threads and since the tank is not pressurized, the sensor does not have to excessively tightened into the NPT hole.

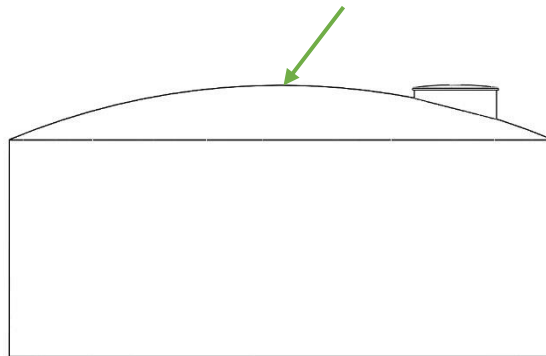
If using straight hole, drill a 3 inch hole in tank top. Sensor is provided with peel and stick adhesive to secure sensor to tank. (Adhesive tape is optional. You may also install the sensor using your own RTV sealant or similar. Use shims as needed install the sensor level with the liquid surface. Apply RTV sealant, or similar, as needed to the top shim and install sensor in the hole.

Risers on tanks must be less than 1 inch tall to be used for installing sensor.

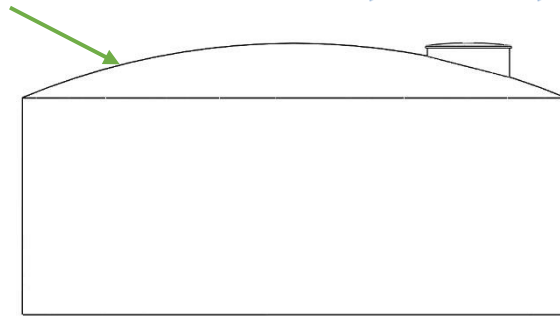
Preferred mounting location is on a flat surface on top of tank



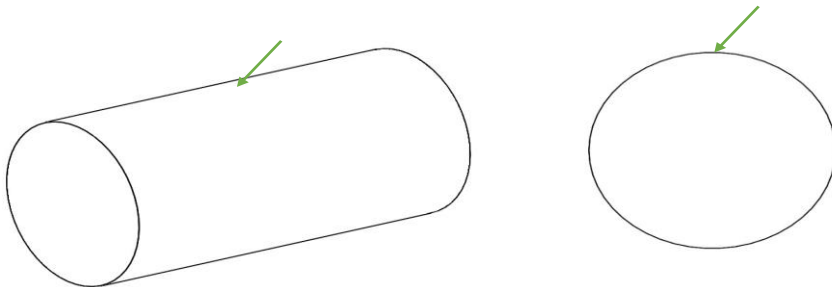
If no flat surfaces are available, the highest point on domed roof is acceptable



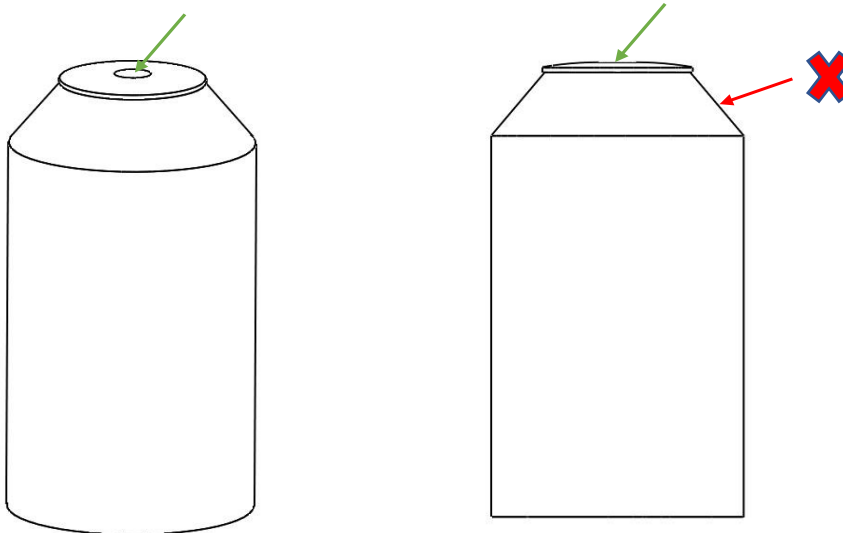
If installation must be along a curved dome surface, use the Domed Surface Install Kit to ensure sensor is level. 10 degree max angle of domed surface allowable.



Horizontal Tanks-Install at highest vertical point of tank



Vertical Tanks- Install in center or on flat area. Do not install on angled surface if angle is greater than 10 degrees.



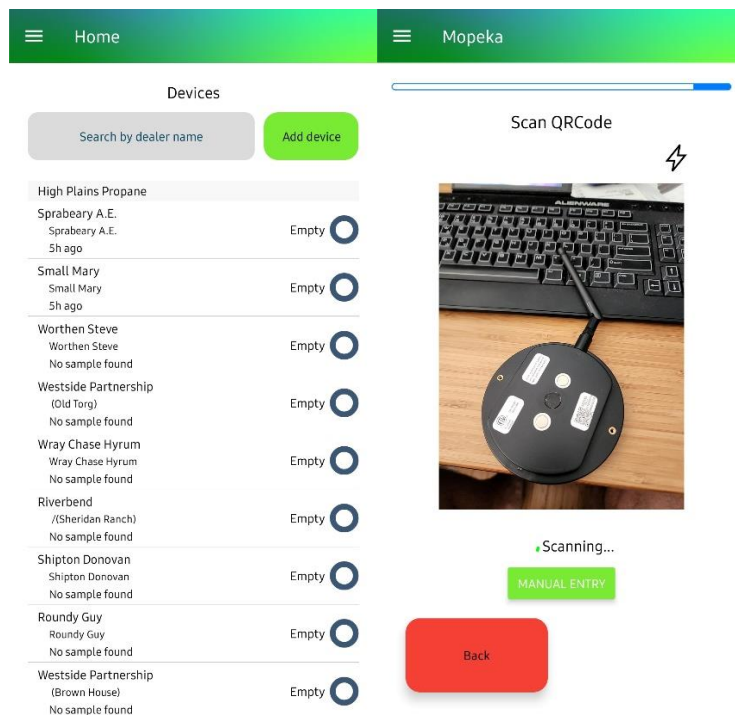


Mopeka Cloud Setup:

1. Download the MopekaIoT “Co-Pilot” App from the Apple or Google Play stores



2. Open the Co-Pilot App, Login into the App using the ID and Password provided by your Distributor or System Administrator.
 - a. Hit the “ADD DEVICE” button and SCAN the Scan the QR Code on the bottom of the sensor. Follow the on screen instructions and enter the appropriate information until the sensor is installed.



3. Scan QR code on sensor. The automated link in the QR code will open the Mopeka cloud to enter all the relevant information required, such as customer name, tank size, etc.

After successful install, check cloud page again and verify sensor is now updating in the cloud system.

