

# Product data sheet

Specifications

SQUARE D

Green Premium™



## Safety switch, heavy duty, non fusible, 30A, 3 wire, 3 pole, 30hp, 600VAC/DC, NEMA 1

HU361

! Discontinued on: 23 June 2023

! Discontinued

### Main

Product	Single Throw Safety Switch
Duty Rating	Heavy duty
Device Application	Heavy application
Disconnect Type	Non-fusible disconnect
Factory Installed Neutral	None
Phase	3 phase
Number of Poles	3
Current Rating	30 A
Voltage Rating	600 V AC/DC
Enclosure Rating	NEMA 1 steel
Motor power hp	5 hp at 240 V AC 50-60 Hz for 1 phase motors 10 hp at 240 V AC 50-60 Hz for 3 phase motors 7.5 hp at 480 V AC 50-60 Hz for 1 phase motors 20 hp at 480 V AC 50-60 Hz for 3 phase motors 10 hp at 600 V AC 50-60 Hz for 1 phase motors 30 hp at 600 V AC 50-60 Hz for 3 phase motors 5 hp at 250 V DC 15 hp at 600 V DC

### Complementary

Mounting Type	Surface
Electrical Connection	Lugs
Wiring configuration	3-wire
Wire Size	AWG 12...AWG 6 aluminium AWG 14...AWG 6 copper
Tightening torque	45 lbf.in (5.08 N.m) 0.02 in <sup>2</sup> (13.3 mm <sup>2</sup> ) (AWG 6) 40 lbf.in (4.52 N.m) 0.01 in <sup>2</sup> (8.367 mm <sup>2</sup> ) (AWG 8) 35 lbf.in (3.95 N.m) 0.00...0.01 in <sup>2</sup> (2.06...5.261 mm <sup>2</sup> ) (AWG 14...AWG 10)
Depth	4.87 in (123.70 mm)
Width	7.55 in (191.77 mm)
Height	14.6 in (370.84 mm)
Net Weight	8.82 lb(US) (4 kg)

## Environment

Certifications UL listed file E2875

## Ordering and shipping details

Category 00008-H&HU SW,2&3P,N1,30-200A

Discount Schedule DE1

GTIN 785901505723

Returnability No

Country of origin US

## Packing Units

Unit Type of Package 1 PCE

Number of Units in Package 1 1

Package 1 Height 5.20 in (13.208 cm)

Package 1 Width 7.70 in (19.558 cm)

Package 1 Length 16.20 in (41.148 cm)

Package 1 Weight 7.60 lb(US) (3.447 kg)

Unit Type of Package 2 PAL

Number of Units in Package 2 120

Package 2 Height 45.50 in (115.57 cm)

Package 2 Width 40.00 in (101.6 cm)

Package 2 Length 48.00 in (121.92 cm)

Package 2 Weight 948.00 lb(US) (430.005 kg)

## Offer Sustainability

Sustainable offer status Green Premium product

California proposition 65 WARNING: This product can expose you to chemicals including: Lead and lead compounds, which is known to the State of California to cause cancer and birth defects or other reproductive harm. For more information go to [www.P65Warnings.ca.gov](http://www.P65Warnings.ca.gov)

REACH Regulation [REACH Declaration](#)

EU RoHS Directive Compliant  
[EU RoHS Declaration](#)

Mercury free Yes

China RoHS Regulation [China RoHS declaration](#)  
Product out of China RoHS scope. Substance declaration for your information.

RoHS exemption information [Yes](#)

Environmental Disclosure [Product Environmental Profile](#)

WEEE The product must be disposed on European Union markets following specific waste collection and never end up in rubbish bins.

PVC free Yes

## Contractual warranty

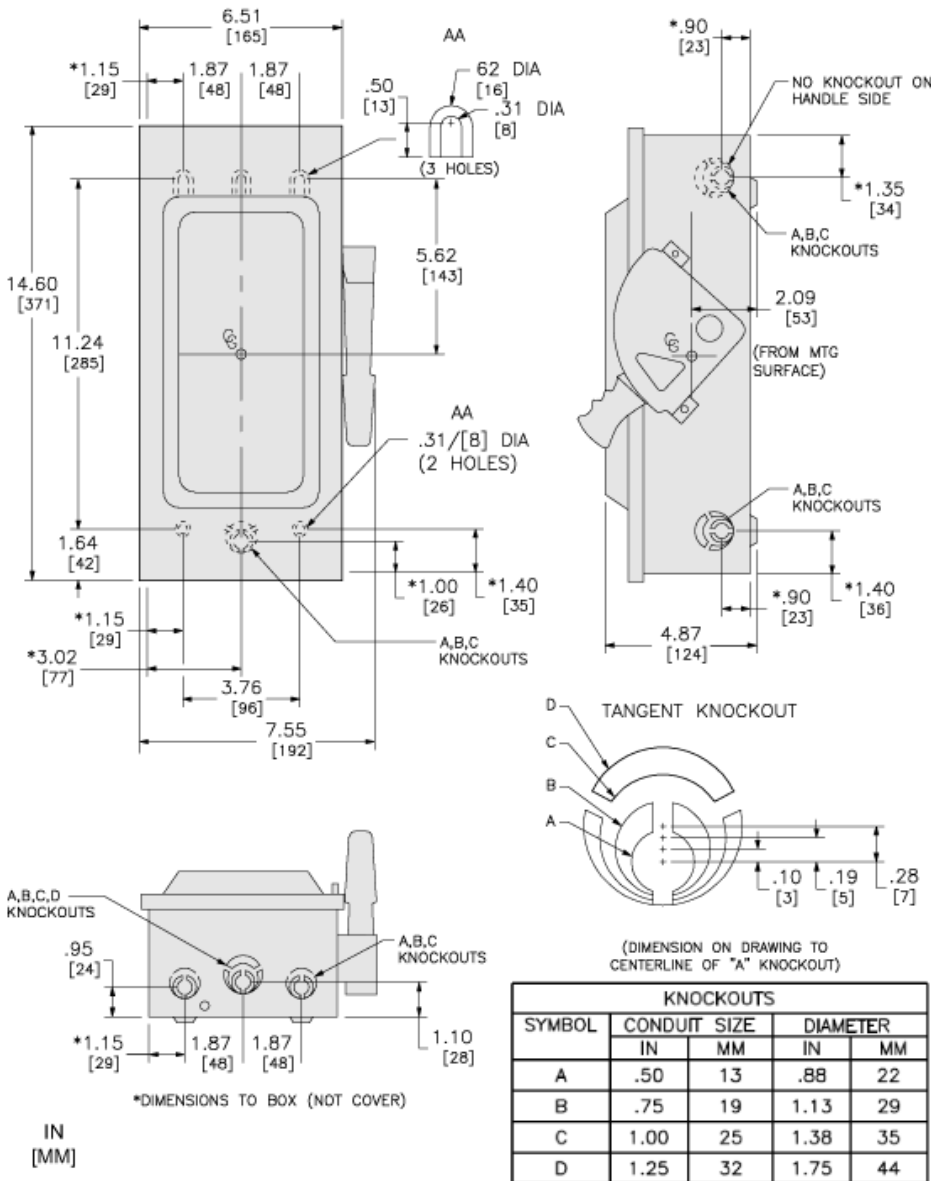
Warranty 18 months

# Product data sheet

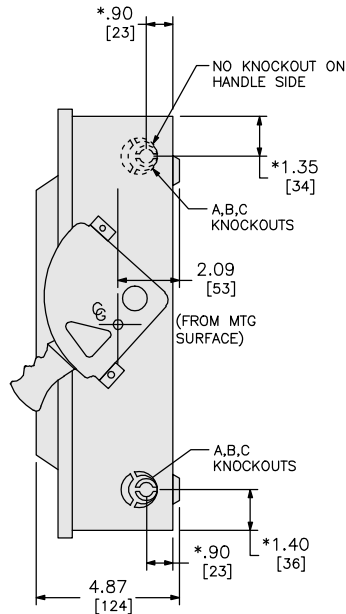
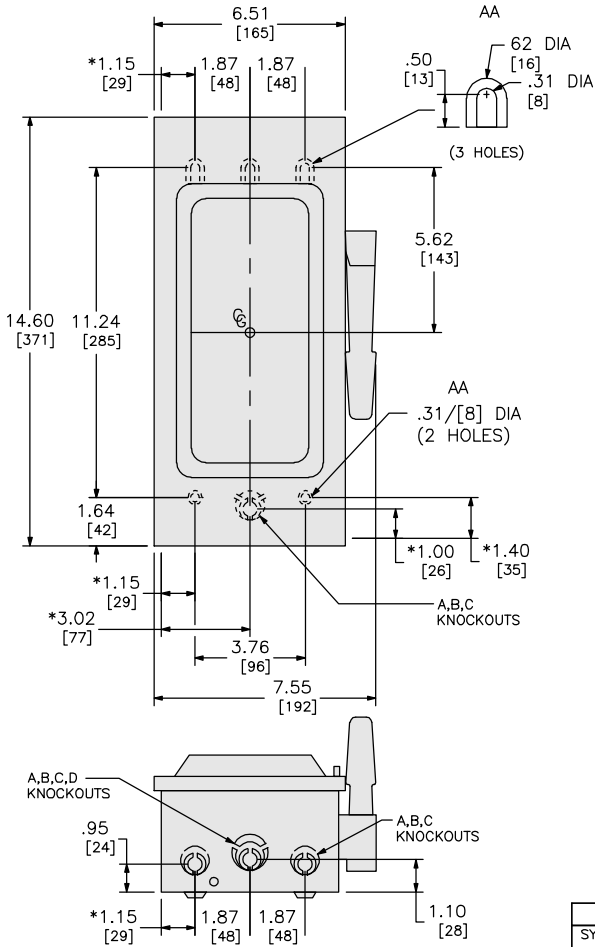
## Dimensions Drawings

# HU361

### Approximate Dimensions



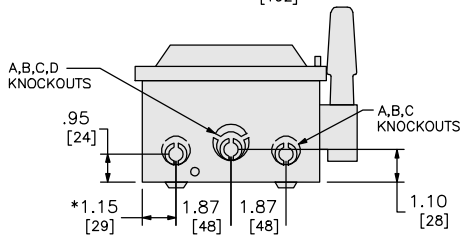
Dimensions



NEMA TYPE 1

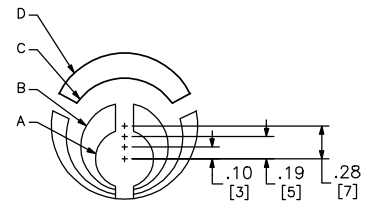
\*DIMENSIONS TO BOX (NOT COVER)

SEISMIC NOTES:  
 USE (4) 1/4" DIA GRADE 5 STEEL MOUNTING BOLTS @ HOLES AA  
 MAX CONFIGURED WEIGHT 10 LB FOR THE PURPOSE OF DETERMINING  
 SEISMIC ANCHORAGE REQUIREMENTS. FOR ALL OTHER APPLICATIONS,  
 CONTACT SQUARE D COMPANY.



in.  
[mm]

KNOCKOUTS				
SYMBOL	CONDUIT SIZE		DIAMETER	
	IN	MM	IN	MM
A	.50	13	.88	22
B	.75	19	1.13	29
C	1.00	25	1.38	35
D	1.25	32	1.75	44



TANGENT KNOCKOUT

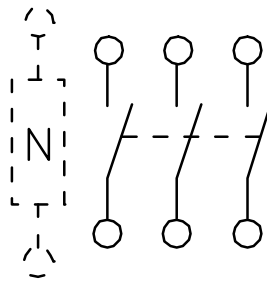
(DIMENSION ON DRAWING TO CENTERLINE OF "A" KNOCKOUT)

ALL DIMENSIONS ARE APPROXIMATE.  
 REFER TO TECHNICAL DRAWINGS AND DOCUMENTATION

**Wiring Diagram**

---

**NOT FUSIBLE**



**HU361**  
**HU361EI**

**Recommended replacement(s)**

HU361 is replaced by:

1x



Safety switch, heavy duty, unfused, viewing window, NEMA 1, 600V, 30A, 3 pole  
VHU361