



# **TRUSTY PRODUCTS, INC.**

**137 S. 8<sup>th</sup> Avenue, #D,  
City of Industry, CA 91746  
Tel: (626) 333-2221  
Fax: (626) 333-2466**

---

**D.C. 12V / 24V CEILING FAN**

**OPERATION WITH REMOTE CONTROL**

---

## **INSTALLATION INSTRUCTIONS**

Version: V006-RC

Date: June 12, 2012

**QUESTIONS OR CONCERNS CONTACT TRUSTY PRODUCTS, INC.**

**Date of Purchase:** \_\_\_\_\_

**Place of Purchase:** \_\_\_\_\_

**Model Number on Carton:** \_\_\_\_\_

**PRODUCT MANUFACTURED IN TAIWAN  
BY KHAN'S ENTERPRISE CO., LTD.**

## **SAFTY PRECAUTIONS**

1. Turn off power at main electrical box before starting installation.
2. Make sure the installation site you choose allows the fan blades to rotate freely without any obstructions.
3. Electrical connections must comply with local code ordinances or national electrical codes.
4. When mounting the fan on a ceiling outlet box, use a box that is able to withstand the moving weight of the fan.

## **CAUTION**

1. To reduce risks of injury to persons, please mount the fan as **NOT** to interfere with movement to people.
2. **DO NOT** bend blade brackets during installation. Balancing blades or cleaning fan. **DO NOT** insert foreign objects in between rotating fan blades.
3. Mount all three screws into a location that is strong enough for fan support.
4. **DO NOT** operate reversing switch while blades are in motion. Fan must be turned off and rotating blades stopped.
5. Bending the blade holder bracket to increase the breeze or balance the fan will void the warranty.

## **TOOL and MATERIAL REQUIRED**

- Screw Driver
- Step Ladder
- Wire Cutter
- Wiring supplies as required by electrical code

## FAN INSTALLATION

Complete remote and motor installation first if optional remote control comes with ceiling fan. Follow steps below then.

### **A. Motor**

A1. Secure Motor by fastening three 1" wood screws into wooden stud with 6 rubber washers at both sides of the mounting brackets. 3 out the 6 rubber washers with adhesive paste to be stick on the top. The other 3 plain rubber washers to be placed at the bottom. See Figure 1

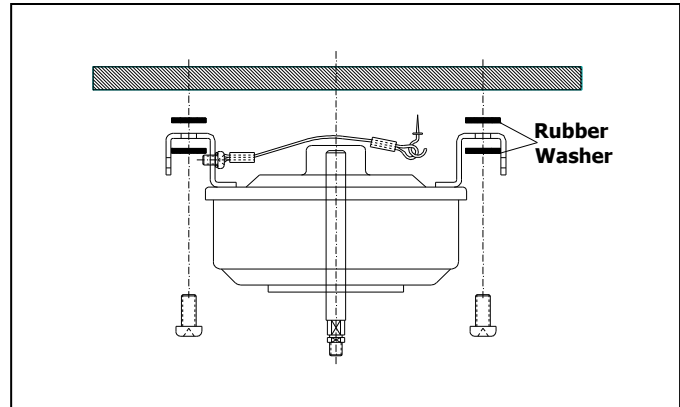


Figure 1

A2. Install safety cable with a J-hook (as you wish to install).

### **B. Electrical Hook Up & Remote Receiver Installation**

**“CAUTION: CONNECT TO ONLY DC 12V POWER SUPPLY FOR 12V FAN MOTORS.”**

**“CAUTION: CONNECT TO ONLY DC 24V POWER SUPPLY FOR 24V FAN MOTORS.”**

(Voltage of the ceiling fan is marked on its motor.)

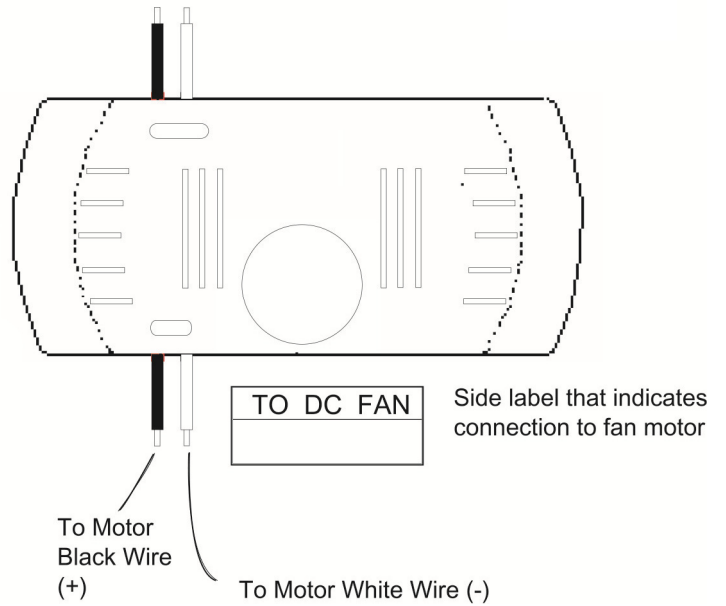
#### Fan Motor Connections

B1. Place remote receiver on top of 12V / 24V DC motor. See Figure 2, Figure 7, Figure 8.



Figure 2

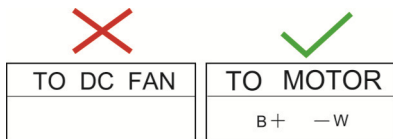
B2. See the side label to decide wires for motor connection. Connect remote receiver white wire to motor white wire; connect remote receiver black wire to motor black wire. See Figure 3, Figure 6.



**Figure 3**

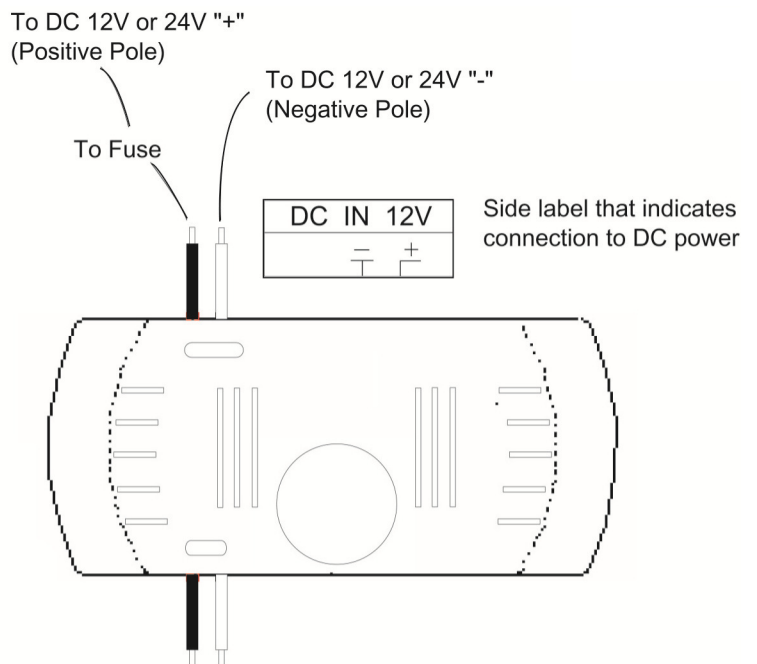
**IMPORTANT NOTICE!!**

**Start Aug. 2012, the motor label is changed to new design.**



**DC Power Connections**

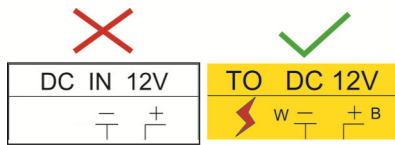
B3. See side label to decide wires for power connection. Connect remote receiver white wire to DC12V or 24V “-“(Negative pole); connect remote receiver black wire to one fuse black wire from housing. Connect the other fuse black wire to DC 12V or 24V “+“(Positive pole). See Figure 4, Figure 6.



**Figure 4**

**IMPORTANT NOTICE!!**

Start Aug. 2012, the power label is changed to new design.

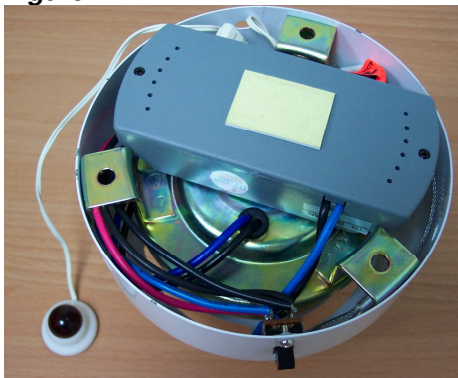


**Figure 5**

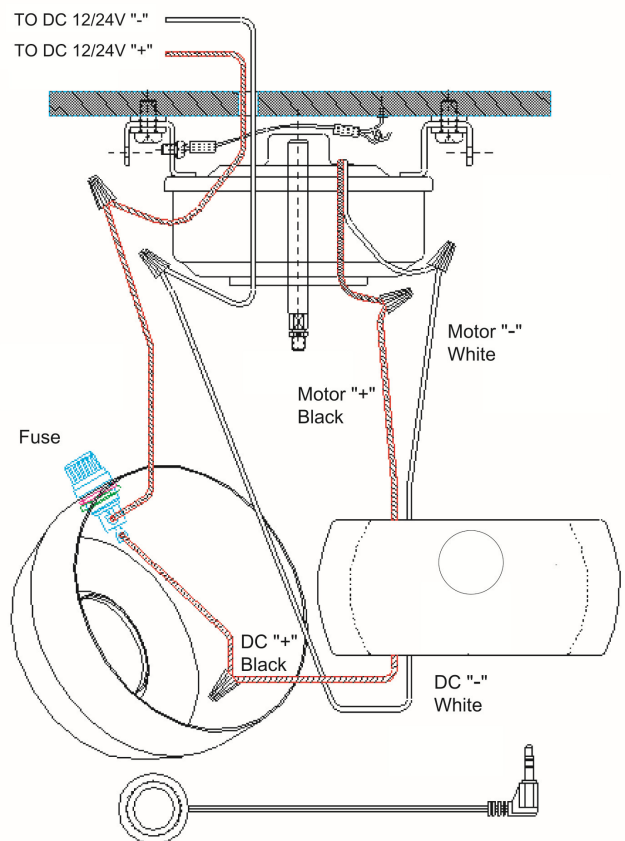
B4. After completing wiring, plug Infrared light wire into remote receiver, attach with double-sided tape to ceiling next to motor housing cover. Make sure all wirings are installed properly. See Figure 5,6,7,8.



**Figure 7**



**Figure 8**



**Figure 6**

**REMRK:**

1. 1.5A fuse mounted within fuse tube. Only replace 1.5A fuse in case of blows. Power source must be positive DC 12V / 24V.
2. All positive wires must be fused (3A) to protect the circuit. Failure to make proper connections and fusing will void product warranty.

## C. Motor Housing Installation

- C1. Position the motor housing to the motor aligning screw holes. See Figure 9
- C2. Tighten the three screws to secure the motor housing.
- C3. “ Be careful not to damage or cut fan wires.”

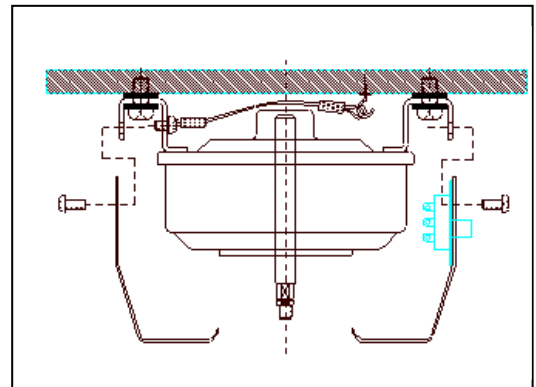


Figure 9

## D. Mounting Blade Holders to Blades

- D1. Unpack hardware package. See Figure 10
- D2. Place screw through rubber washer then hole of blade.
- D3. Align with corresponding hole of blade holder and tighten the screw.

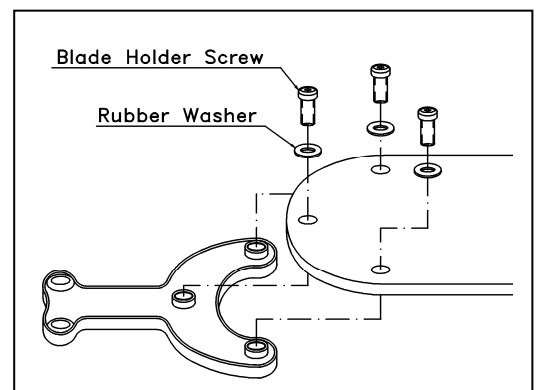


Figure 10

## E. Mounting Blade Holders to Turning Disk

- E1. Obtain countersink screw. See Figure 11
- E2. Place screw through the screw hole of blade holder end and tighten up to the turning disk.

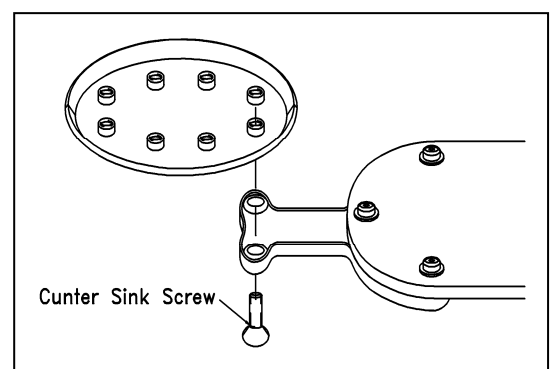
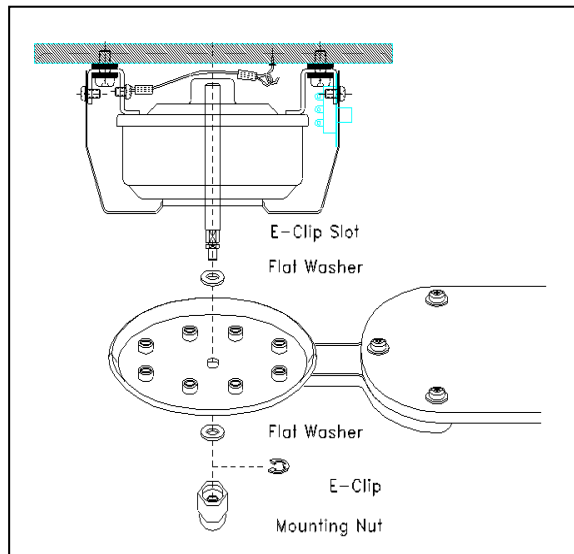


Figure 11

## F. Mounting Turning Disk to Motor

- F1. Unpack hardware package.
- F2. Place one flat washer into the shaft of the fan motor.  
See Figure 12
- F3. Align the slot of turning disk and insert into shaft of the motor.
- F4. Place another washer into the shaft and clip on the E-clip the slot for temporary securing the disk.
- F5. Tighten the turning disk by using the securing mounting nut.



into

**Figure 12**

## H. Remote Control

Remote control enables to control

1. power on / off
2. high / med/ low speed
3. forward / reverse directions

(Require 2 AAA batteries, not included)



## ***Trouble Shooting***

### **TROUBLE**

1. Fan won't start

### **SUGGESTIONS**

- **FOR 12V FANS: ONLY connect to DC 12V Power Supply before turn on the fan.** (Voltage of the ceiling fan is marked on its motor.)
- **FOR 24V FANS: ONLY connect to DC 24V Power Supply before turn on the fan.** (Voltage of the ceiling fan is marked on its motor.)
- Check fuses and circuit breaker.
- Check wiring connections of switch if properly installed.
- Check wiring connections to fan

2. Noise of the fan

- Check if all screws in motor housing are tightened.
- Check if blade holder screws are tight.
- Check wire connectors in switch housing are not rattling against wall of motor housing.

3. Fan wobbles or shake excessively holder.

- Check all blades are firmly secured into blade.
- Check blade holders firmly secured to turning disk.
- Check distance between blade tips to blade tip. All measurements should be equal. Loosen and retighten the blades if necessary.
- Check distance from blade tips to ceiling. Gently bend up or down the blade until all distances are the same.
- Balance the unequal weight blade with balancing kits.
  - i. Clip a clip-on-weight to the trailing side of one of the fan blades (More than one clip-on-weight might be needed).
  - ii. Attach a self-adhesive weight to the top of the blade once the wobble disappeared.
  - iii. Remove the clip-on-weight.