

# Xantrex™ XW Automatic Generator Start

# 865-1060 Quickstart Guide

## Important Safety Instructions

### SAVE THESE INSTRUCTIONS

This sheet contains important safety and operating instructions. Before using this product, be sure to read, understand, and save these instructions.

#### Warning: Restrictions on use

The Schneider Electric Xantrex XW Automatic Generator Start shall not be used in connection with life support systems or other medical equipment or devices.

#### Warning: Safety hazard

Disable the Xantrex XW Automatic Generator Start if the generator or vehicle equipped with the generator is in an enclosed building or area where the generator exhaust is not vented to the outside.

Note: The full Owner's Guide in your language is available for download at [www.schneider-electric.com](http://www.schneider-electric.com)

### General Precautions

1. Before installing and using the Xantrex XW Automatic Generator Start, read all appropriate sections of the Owner's Guide.
2. Do not dismantle the Xantrex XW Automatic Generator Start; it contains no user serviceable parts. See the Owner's Guide for instructions on obtaining service.
3. Protect the Xantrex XW Automatic Generator Start from rain, snow, spray, and water.
4. Before wiring this device and before performing system maintenance, disable the automatic starting circuit and/or disconnect the generator from its starting battery to prevent accidental starting.
5. To reduce the risk of electrical shock, put the Xantrex XW Power System into Standby mode before working on any circuits connected to it. For more information, see the Owner's Guide.
6. If the Xantrex XW Automatic Generator Start is inoperative, see "Warranty and Product Information" in the Owner's Guide.

### Explosive Gas Precautions

#### Warning: Explosion hazard

This equipment is not ignition protected. To prevent fire or explosion, do not install this product in locations that require ignition-protected equipment. This includes any space containing gasoline-powered machinery, fuel tanks, as well as joints, fittings, or other connections between components of the fuel system.

## Installation

Installing the Xantrex XW AGS involves the following steps:

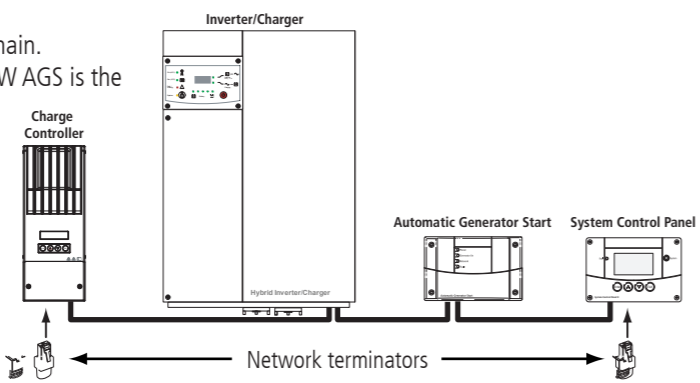
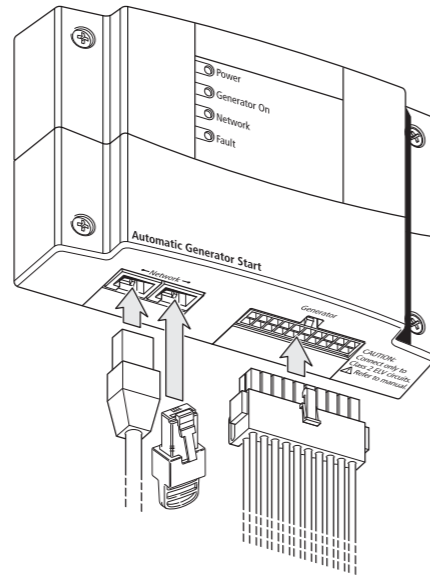
1. Mounting the unit.
2. Connecting the wiring harness to:
  - the generator
  - thermostats (optional)
  - external shutdown switch (optional)
  - external ON/OFF switch and LED (optional)

3. Connecting the wiring harness to the 20-contact connector on the Xantrex XW AGS.

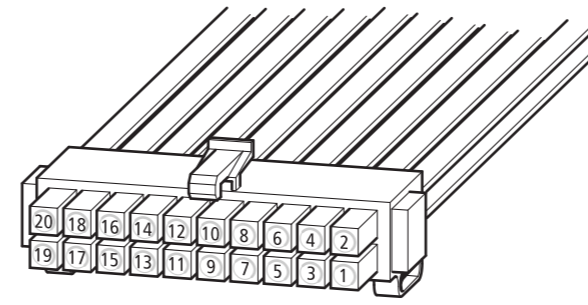
4. Connecting the Xantrex XW AGS to Xantrex Xanbus™

To connect the Xantrex XW AGS to Xantrex Xanbus, plug a Xantrex Xanbus cable (standard straight-through Ethernet cable—CAT 5e) into one of the network ports on the bottom panel of the Xantrex XW AGS. Connect the other end of that same cable to the next Xantrex Xanbus-enabled device in the chain. Depending on the layout of the Xantrex Xanbus system, the following options are available for the other Xantrex Xanbus connector on the Xantrex XW AGS:

- A second network cable to another device in the chain.
- A Xantrex Xanbus terminator (when the Xantrex XW AGS is the last device at one end of the network).



## Wiring Harness Wires and Functions



- 1 □ Thermostat 1 input (Yellow)
- 2 □ Thermostat 1 return (Gray)
- 3 □ Thermostat 2 input (Orange)
- 4 □ Thermostat 2 return (Gray)
- 5 □ External shutdown input (White/Black)
- 6 □ External shutdown return (Gray)
- 7 □ External manual on input (White/Green)
- 8 □ External manual off input (White/Red)
- 9 □ External ON/OFF LED Indicator output (White/Blue)
- 10 □ Constant 12/24 V B+ (battery positive) for External ON/OFF/LED Indicator (Red)
- 11 □ External ON/OFF/LED Indicator return (connected internally to wire number 13) (Black)
- 12 □ Generator run signal (switched B+) sense input (Violet)
- 13 □ Generator run signal (switched B+) sense return (Black)
- 14 □ Relay 1 (Generator run/stop) Normally open contact (Blue)
- 15 □ Relay 1 (Generator run/stop) Normally closed contact (White/Violet)
- 16 □ Relay 1 (Generator run/stop) Common contact (Gray)
- 17 □ Relay 2 (Generator start) Normally open contact (White)
- 18 □ Relay 2 (Generator start) Common contact (Gray)
- 19 □ Relay 3 (Preheat/cooldown) Normally open contact (Brown)
- 20 □ Relay 3 (Preheat/cooldown) Common contact (Gray)

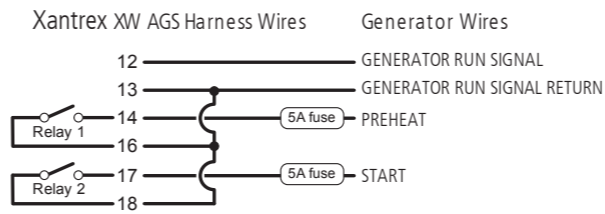
## Connecting the Generator

The Xantrex XW AGS has 14 preset generator configurations, or "Gen Types". After installing the hardware, select one of these Gen Types from the Xantrex XW AGS Configuration Menu on the Xantrex XW System Control Panel. See the Wiring and Timing Diagrams that follow.

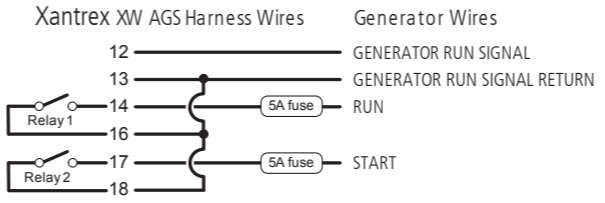
#### Caution: Equipment Damage

Consult your generator manufacturer to ensure that Gen Type settings and connections are compatible with your generator. Damage to the generator can result from selecting an incorrect Gen Type and following the connection diagram for an incorrect Gen Type when connecting the Xantrex XW AGS to the generator. Xantrex assumes no responsibility or liability for loss or damage that might arise out of the use of this information.

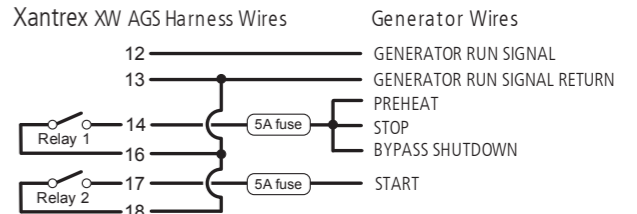
### Type 1



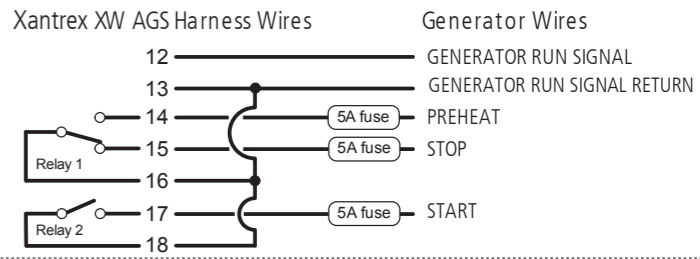
### Type 2



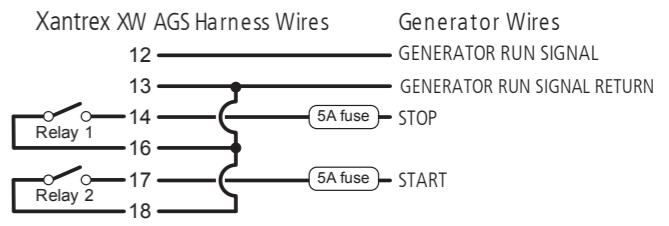
### Type 3



### Type 6

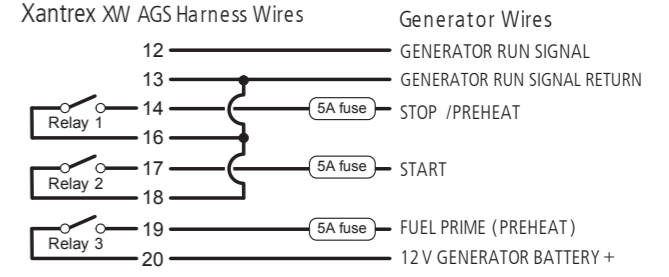


### Type 12

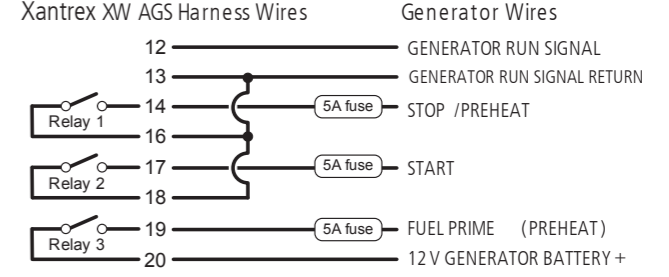


GlowStop Mode Timing Diagrams for Gen Types 1, 2, 3, 6, and 12

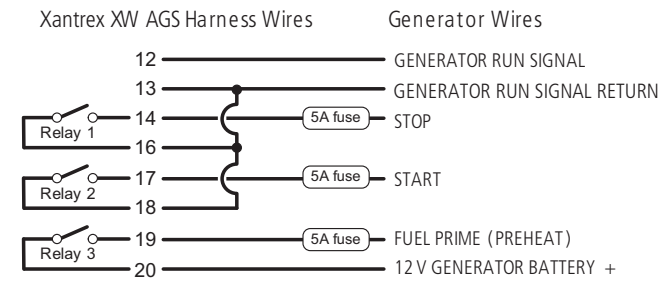
### Type 4



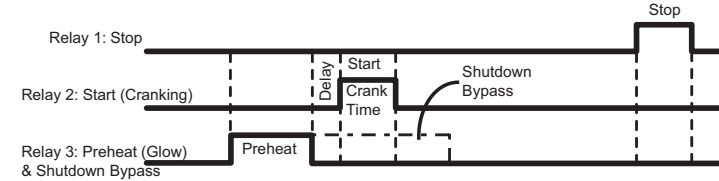
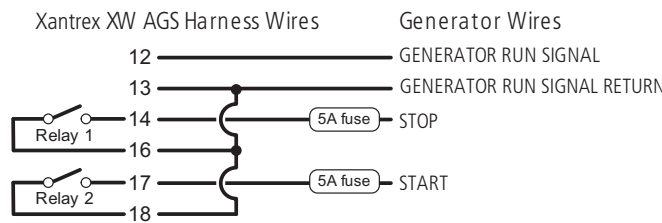
### Type 5



## Type 9

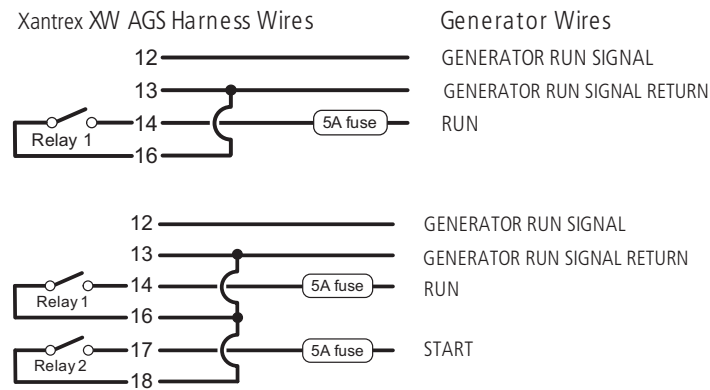


## Type 10

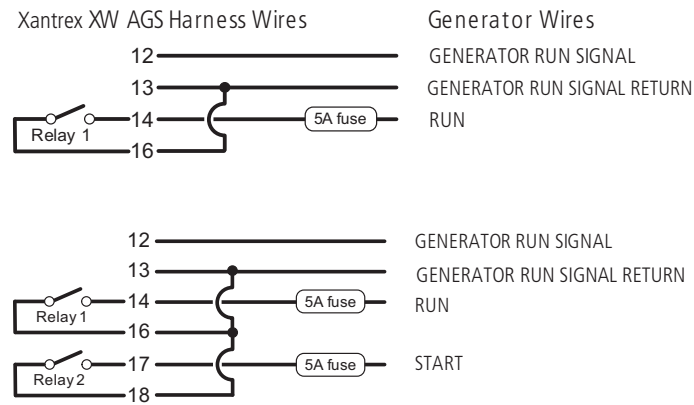


StartStop Mode Timing Diagram for Gen Types 4, 5, 9, and 10

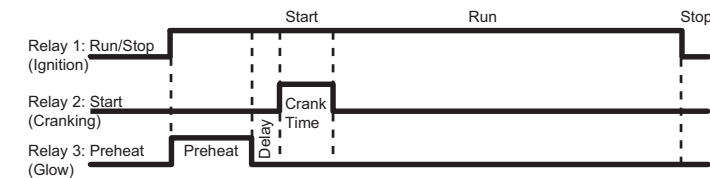
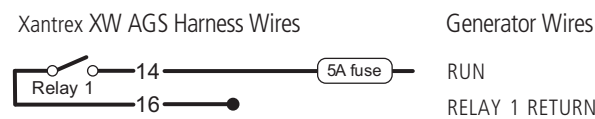
## Type 7



## Type 8

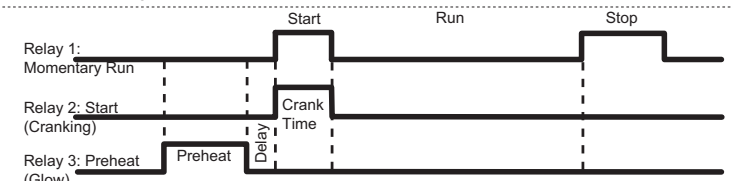
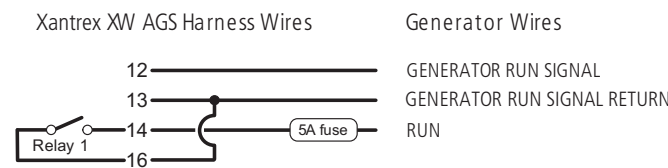


## Type 14



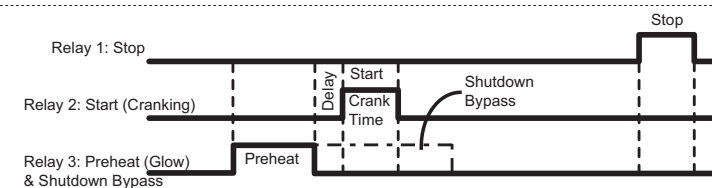
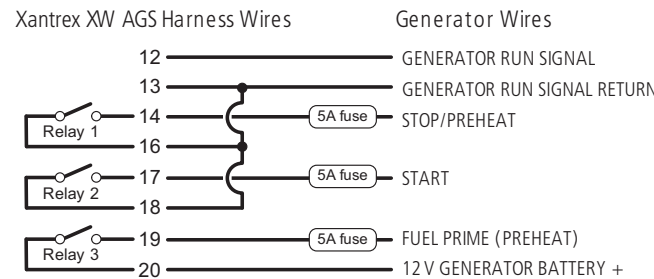
RunMode Timing Diagram for Gen Types 7, 8, and 14

## Type 11

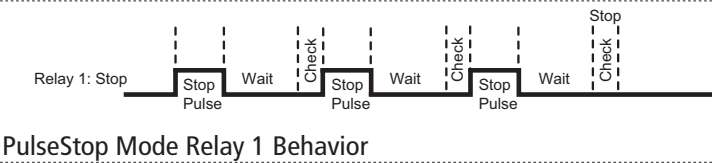


MomentaryRun Mode Timing Diagram for Gen Type 11

## Type 13



PulseStop Mode Timing Diagram for Gen Type 13



### Trademarks

Schneider Electric, the Schneider Electric logo, Xantrex, and Xanbus are trademarks or registered trademarks of the Schneider Electric group of companies. Other trademarks, registered trademarks, and product names are the property of their respective owners and are used herein for identification purposes only.

### Notice of Copyright

Copyright © 2008, 2009, 2010 Xantrex Technology Inc. All rights reserved. No part of this document may be reproduced in any form or disclosed to third parties without the express written consent of:

Xantrex Technology Inc. 161-G South Vasco Road Livermore, California USA 94551

Xantrex Technology Inc. reserves the right to revise this document and to periodically make changes to the content hereof without obligation or organization of such revisions or changes unless required to do so by prior arrangement.

### Exclusion for Documentation

UNLESS SPECIFICALLY AGREED TO IN WRITING, XANTREX TECHNOLOGY INC. ("XANTREX")

(A) MAKES NO WARRANTY AS TO THE ACCURACY, SUFFICIENCY OR SUITABILITY OF ANY TECHNICAL OR OTHER INFORMATION PROVIDED IN ITS MANUALS OR OTHER DOCUMENTATION;

(B) ASSUMES NO RESPONSIBILITY OR LIABILITY FOR LOSSES, DAMAGES, COSTS OR EXPENSES, WHETHER SPECIAL, DIRECT, INDIRECT, CONSEQUENTIAL OR INCIDENTAL, WHICH MIGHT ARISE OUT OF THE USE OF SUCH INFORMATION. THE USE OF ANY SUCH INFORMATION WILL BE ENTIRELY AT THE USER'S RISK; AND

(C) REMINDS YOU THAT IF THIS QUICKSTART GUIDE IS IN ANY LANGUAGE OTHER THAN ENGLISH, ALTHOUGH STEPS HAVE BEEN TAKEN TO MAINTAIN THE ACCURACY OF THE TRANSLATION, THE ACCURACY CANNOT BE GUARANTEED. APPROVED XANTREX CONTENT IS CONTAINED WITH THE ENGLISH LANGUAGE VERSION WHICH IS POSTED AT [WWW.SCHNEIDER-ELECTRIC.COM](http://WWW.SCHNEIDER-ELECTRIC.COM).

**Date and Revision**    **Document Part Number**    **Product Number**  
 March 2010 Revision B    975-0437-01-01    865-1060

### Contact Information

North America  
 Tel: 1 650 351 8237 / 1 866 519 1470  
 Fax: 1 604 422 2756  
 email: [re.techsupport@schneider-electric.com](mailto:re.techsupport@schneider-electric.com)

Germany  
 +49 (0) 180 575 6575  
 +49 (0) 2102 404 7101  
[solarservice@de.schneider-electric.com](mailto:solarservice@de.schneider-electric.com)

Italy  
 +39 035 4151111  
 +39 035415 3200  
[IT-pronto-contatto@it.schneider-electric.com](mailto:IT-pronto-contatto@it.schneider-electric.com)

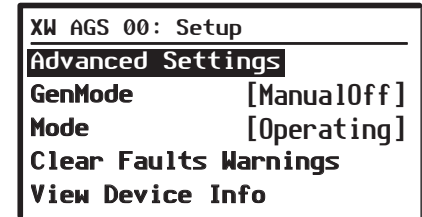
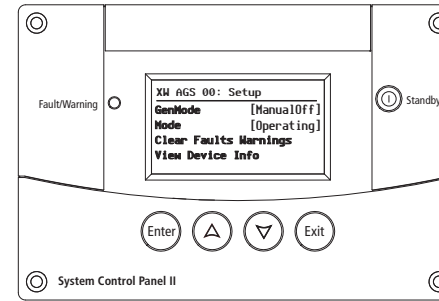
Spain  
 +34 93 498 7466  
 +34 93 305 5026  
[re.techsupport@es.schneider-electric.com](mailto:re.techsupport@es.schneider-electric.com)

website: [www.schneider-electric.com](http://www.schneider-electric.com)

For other country details please contact your local Schneider Electric Sales Representative or visit our website at: <http://www.schneider-electric.com/sites/corporate/en/support/operations/local-operations/local-operations.page>

# Xantrex XW AGS Configuration Menus

The Xantrex XW AGS is configured using the Xantrex XW AGS menu on the Xantrex XW System Control Panel. On the Xantrex XW AGS menu, you can change Xantrex XW AGS settings, select the generator's operating mode, clear fault warnings and view device information.



To view configuration menus, highlight Advanced Settings and press Enter.

To view Advanced Settings, from the Xantrex XW AGS Setup menu, press Enter, Up arrow, and Down arrow buttons simultaneously.

